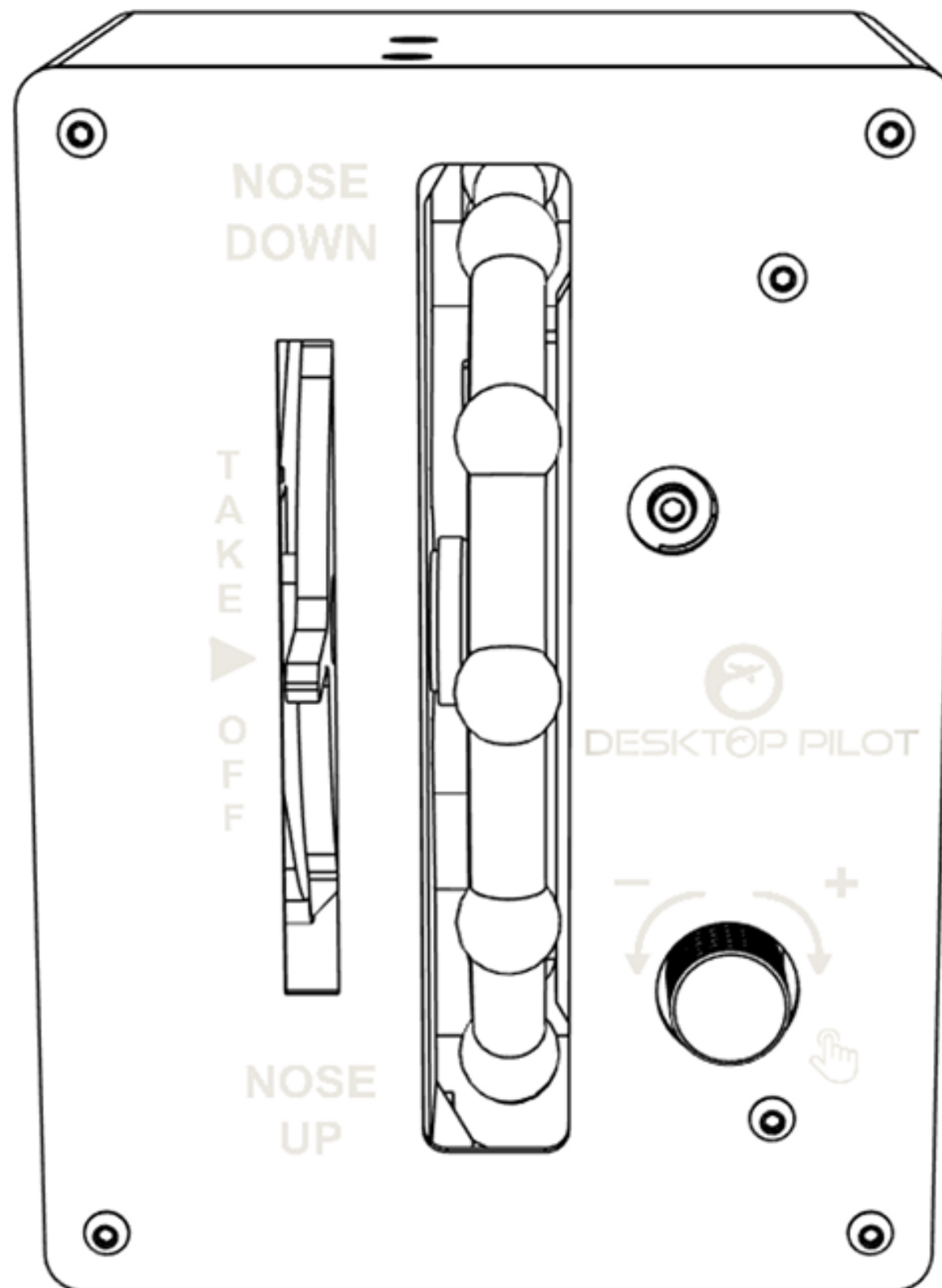


DESKTOP PILOT

Trim Wheel with Indicator

DP-TW-02

User Manual

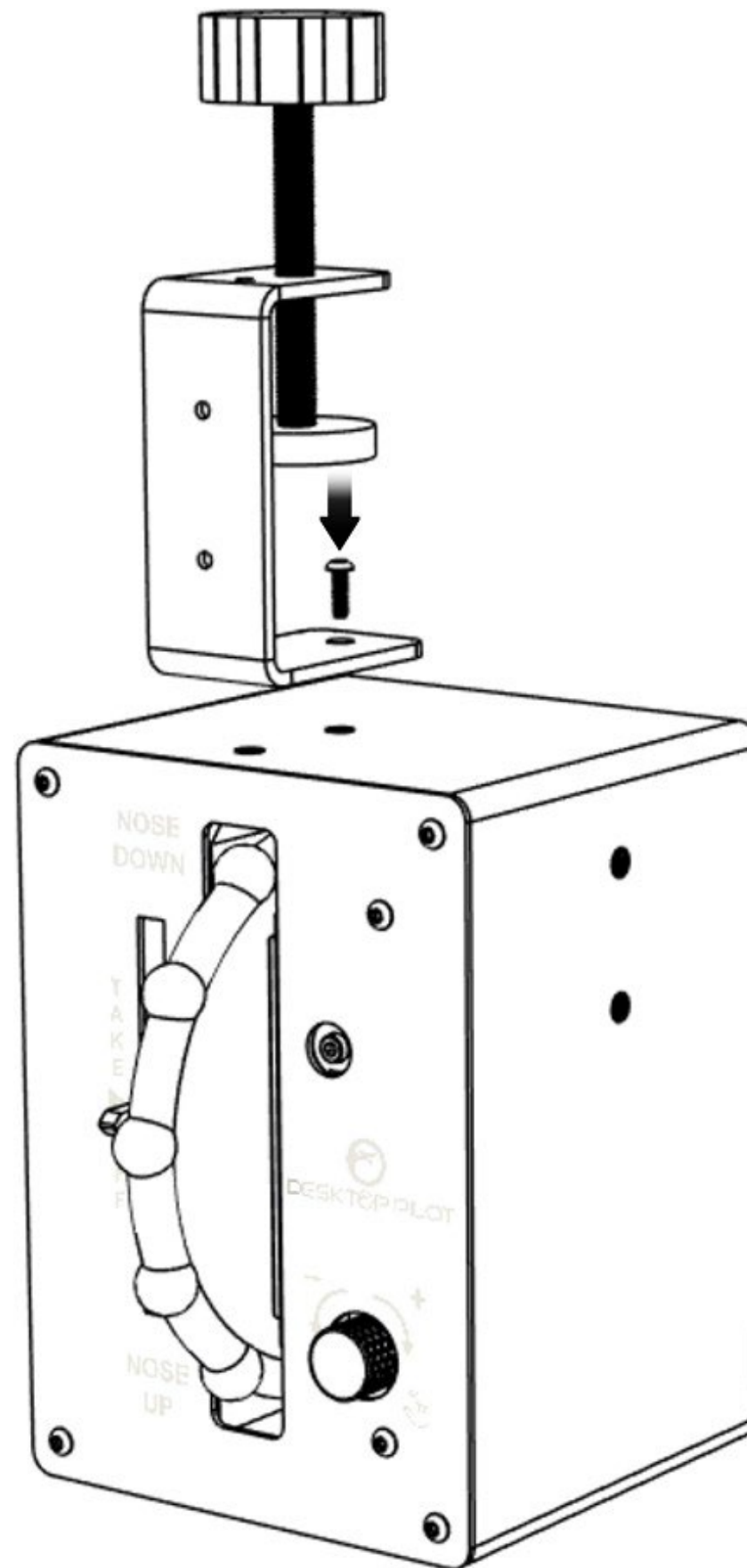


Serial Device
Manual Version: 1.2

MOUNTING OPTIONS

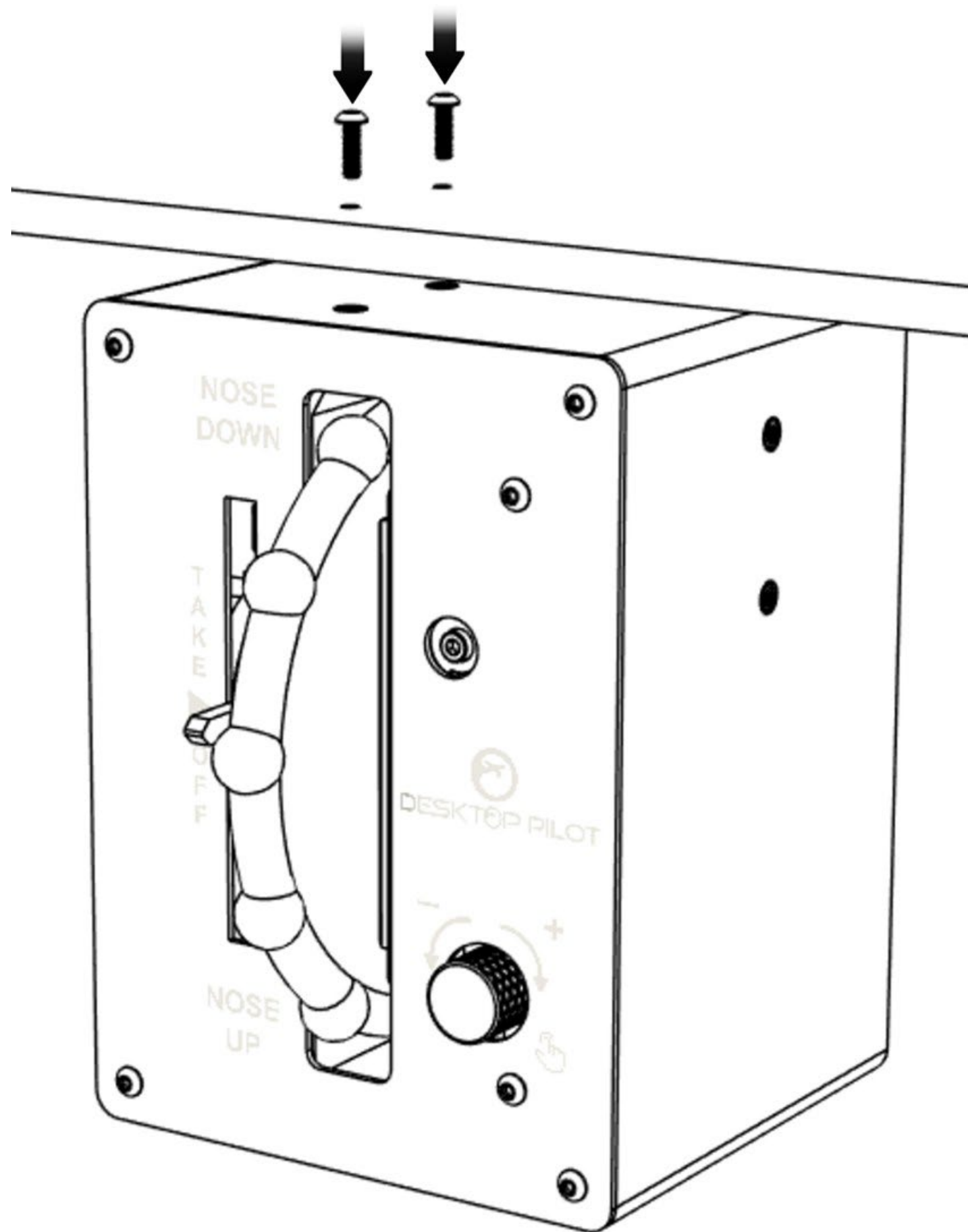
Clamp Mounting

Attach the clamp (sold separately) using the mounting holes on the top, sides, or bottom depending on preferred setup.



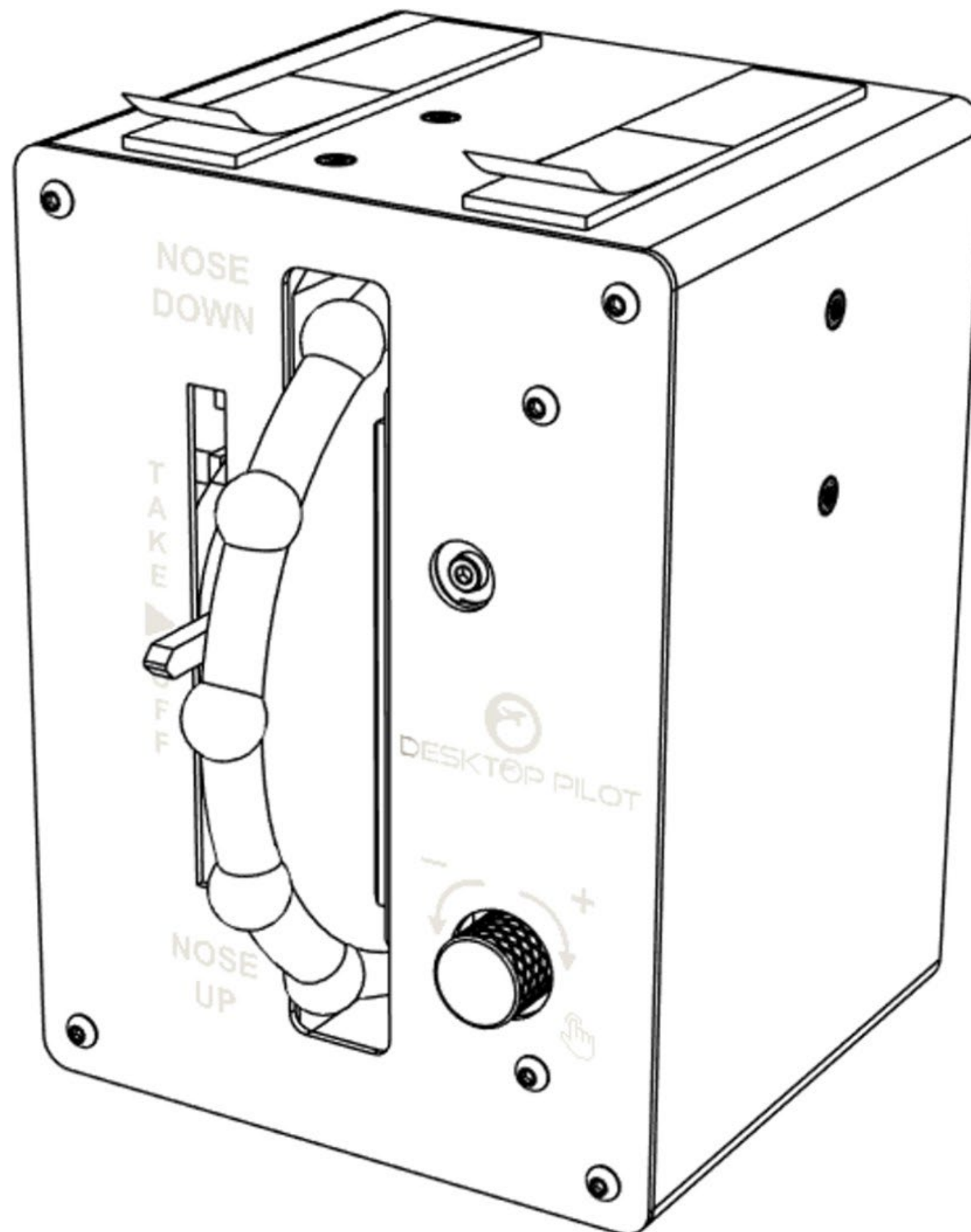
Screw Mounting

Secure the product to the surface using the top, side, or base mounting holes with M3 screws.



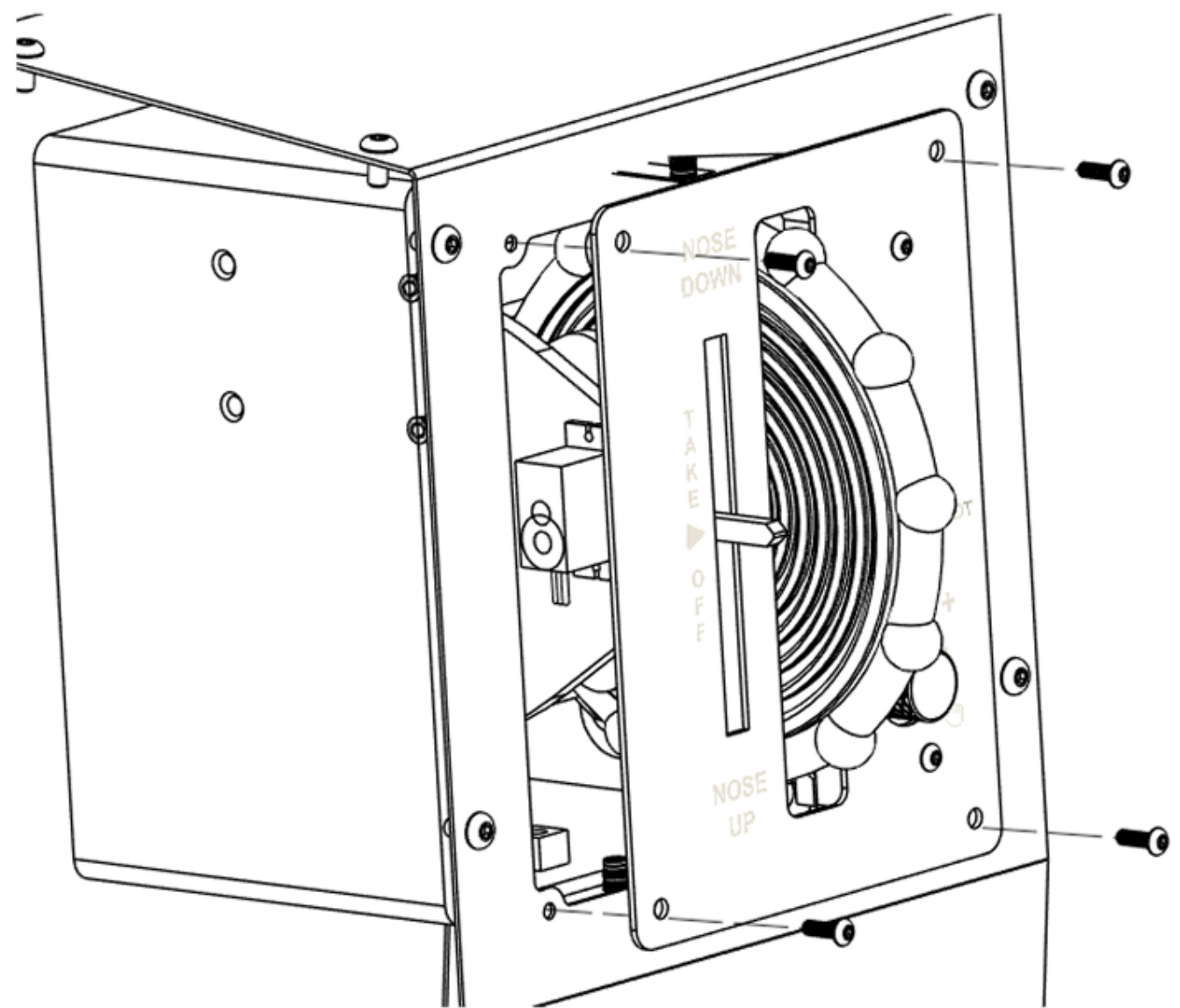
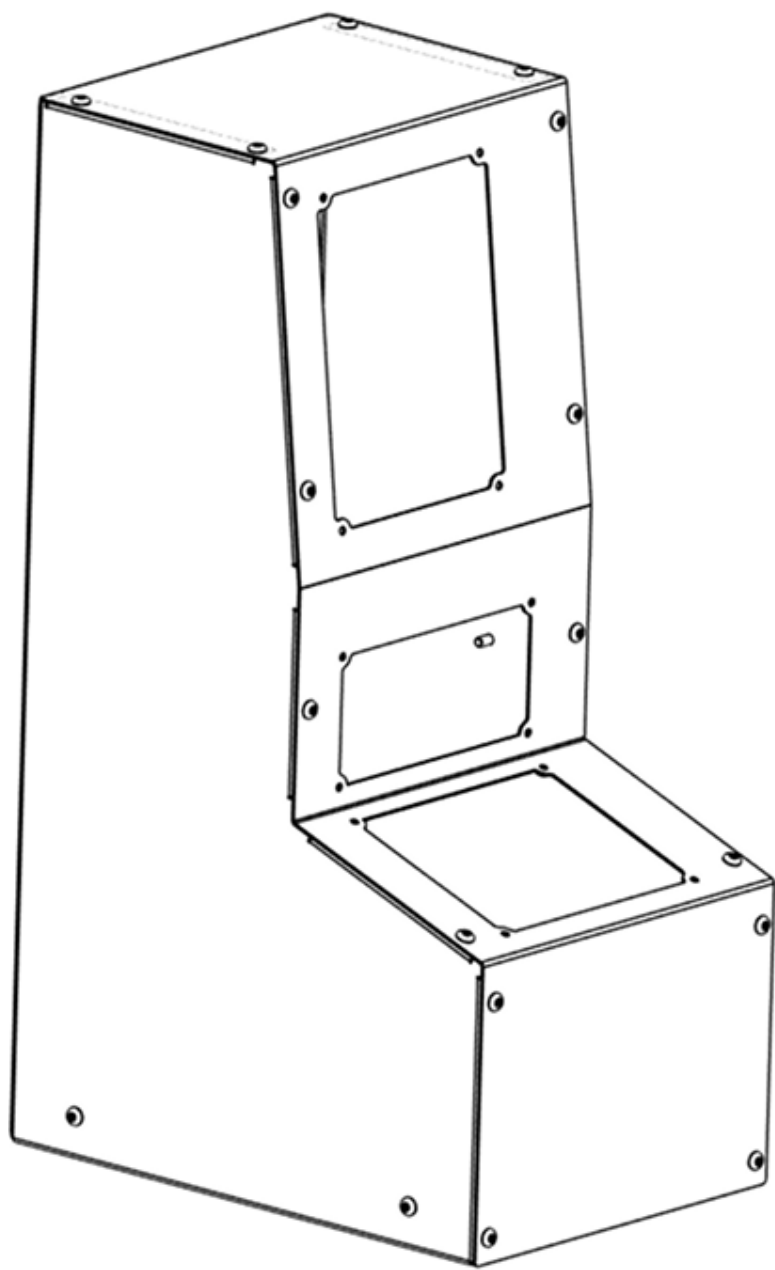
Adhesive Mounting

Apply the double-sided tape to any side of the product, then press the product firmly onto the surface to secure it in place.



Pedestal Mounting

Screw the product directly to a custom panel or Desktop Pilot pedestal as shown here.



PRODUCT SPECIFICATIONS

What's in the box?

- USB Type-A to Type-B Cable
- Trim Wheel with Indicator
- Double-sided VHB Tape
- Hex wrench for tension adjustment

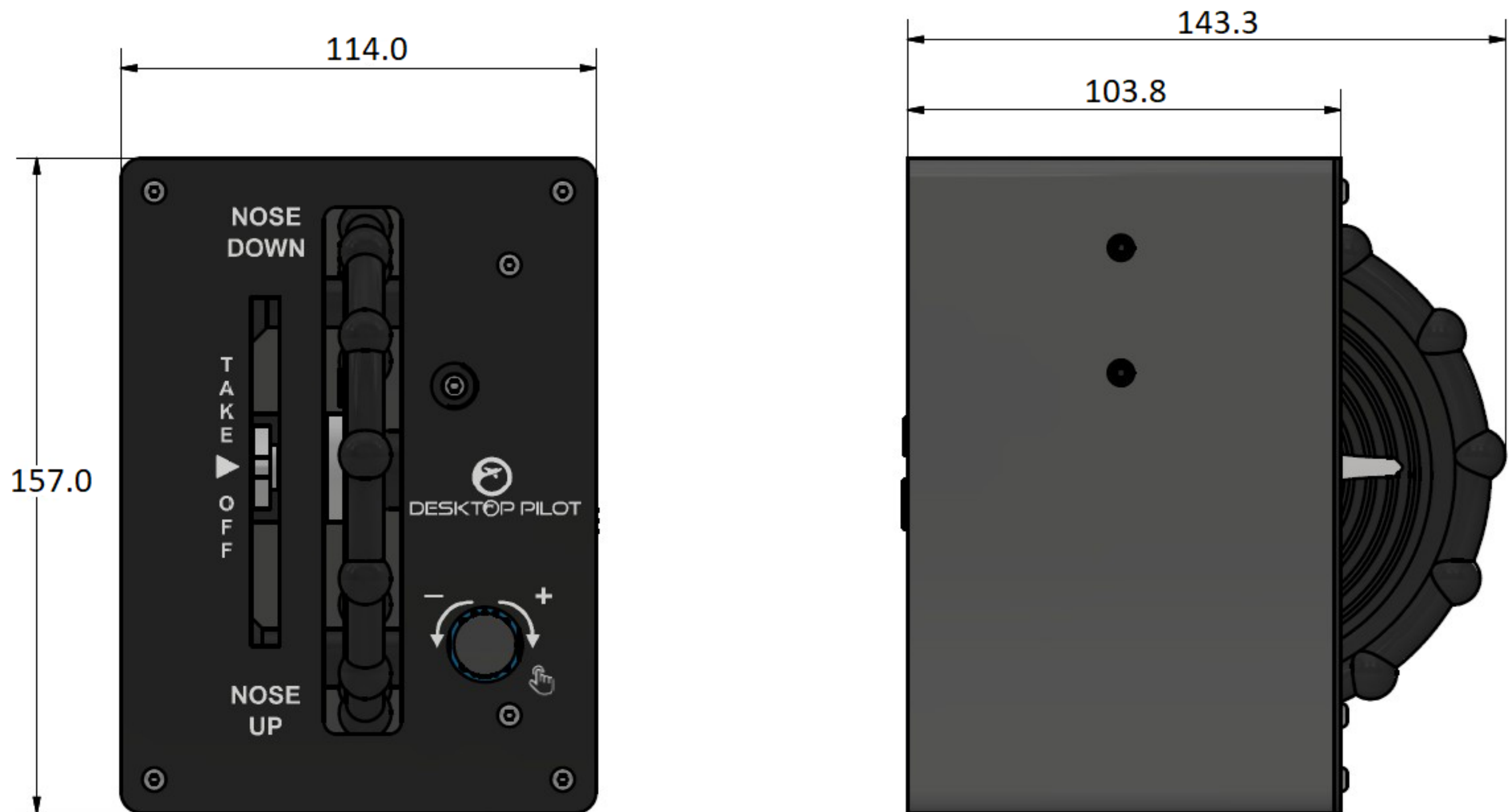
Product Weight/Dimensions

Dimensions (L x W x H):

114mm × 143.3mm × 157mm / 4.49 in × 5.64 in × 6.18 in

Weight:

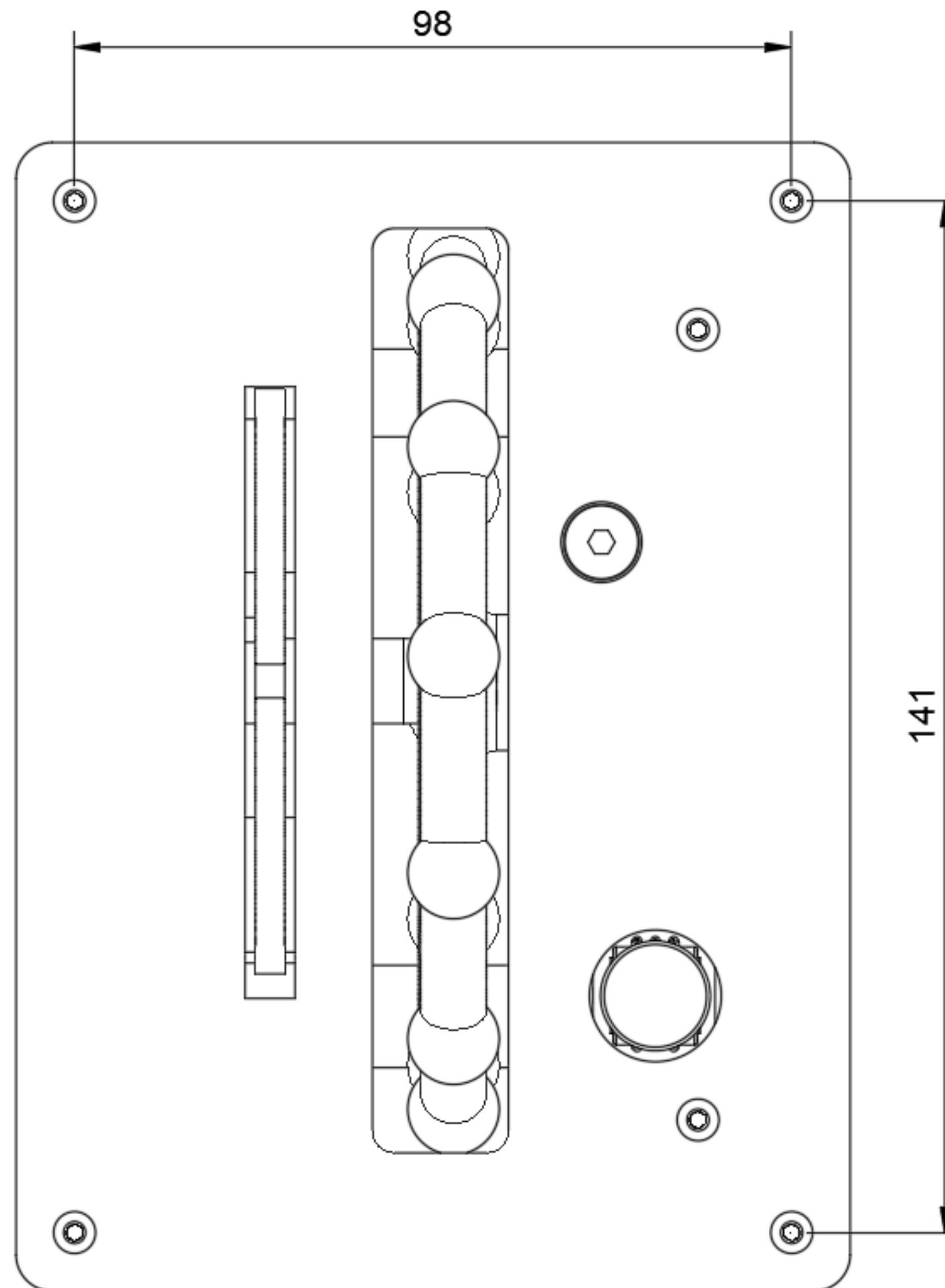
1.17lbs / 530g



All dimensions shown in the image are in **mm**

Panel hole dimensions (W x H):

98mm × 141mm / 3.86 in × 5.55 in



All dimensions shown in the image are in **mm**



IMPORTANT:

This device may not function correctly if other connected devices are assigned the same functions in the simulator software. If you experience any issues, disconnect those devices or delete the overlapping input bindings.

If you need assistance, feel free to contact our support team.

Safety, Maintenance, and Care Guidelines

To ensure safe use and extend the lifespan of the **Trim Wheel with Indicator**, follow these recommendations:

Safety Precautions

- **Proper Use:** Keep the unit dry and free from moisture. Use only certified USB power sources.
- **Heat & Ventilation:** Avoid placing the device near heat sources or in direct sunlight.
- **Material Care:** Avoid solvents or abrasive cleaners; plastic parts can deform above **60–65°C (140–149°F)**.
- **Handling:** Handle device carefully to avoid damage. Keep out of reach of children and pets.
- **Disposal:** Follow local recycling rules for electronics and plastics.
- **Warranty:** Unauthorized modification or disassembly may void the warranty. Contact support for approved repairs or servicing.

Maintenance and Care

- **Surface Cleaning:** Use a soft, dry microfiber cloth to clean exterior surfaces. Avoid liquid cleaners and alcohol-based solutions.
- **USB Port Care:** Ensure USB Type B connection remains secure and free from debris. Minimize unnecessary unplugging to reduce port wear.
- **Storage:** Store in a dry, dust-free environment away from direct sunlight when not in use.

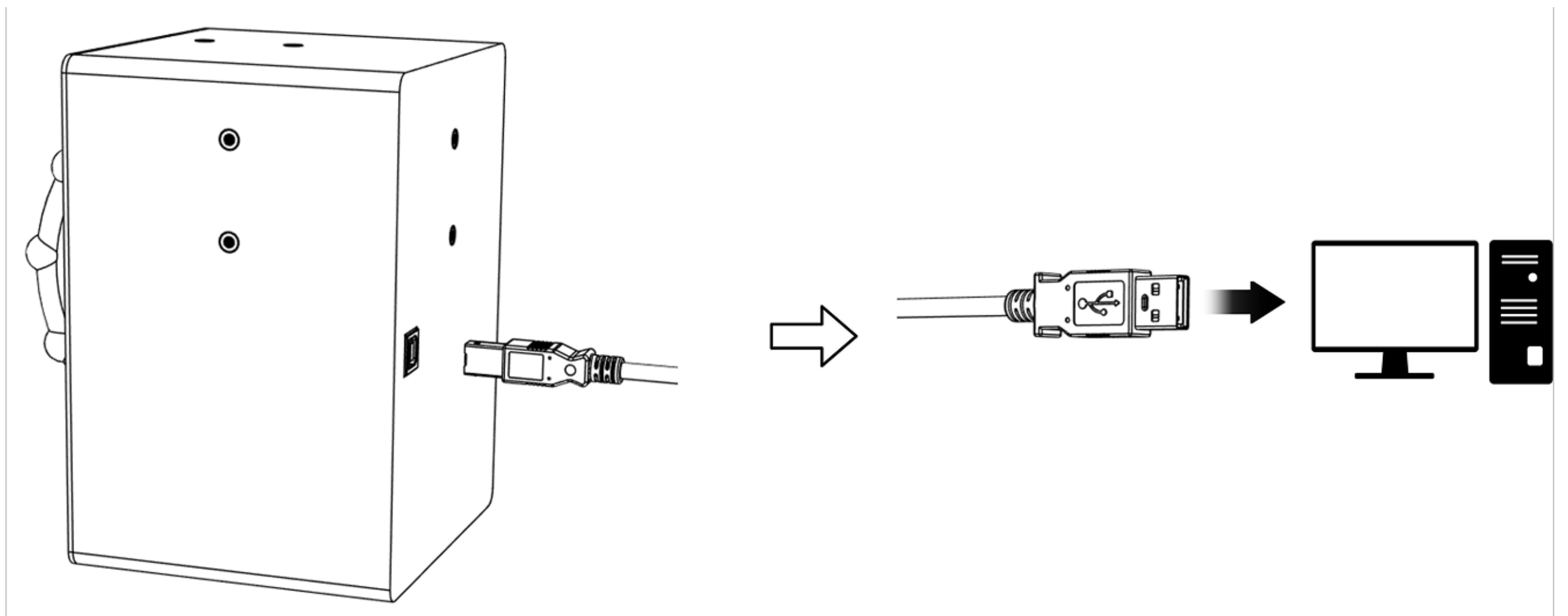
Setup Instructions

1) (Optional) Mount the Device

Refer to the **Mounting Options** section of this manual for instructions on securing the device.

2) Establish USB Communication

- Connect the **Type-B** end of the included USB cable to the Trim Wheel.
- Connect the **Type-A** end to a USB port on your PC.



Setup Instructions

Software Setup & Configuration

Complete setup based on the flight simulator software you are using:

Option A: Setup for X-Plane 11/12.....page 12
Option B: Setup for Microsoft Flight Simulator (MSFS) 2020/2024.....page 14

Setup Instructions

OPTION A: SETUP FOR X-PLANE 11/12

3) Install Required Software

1. Visit <https://www.desktoppilot.com/software/>
2. Download the latest version of **SkySync for X-Plane**.



3. Run the installer and complete installation.

Tip: Pin **SkySync** to your Start menu or taskbar for quick and easy access.

4) Connect & Calibrate

1. Launch **X-Plane 12** (or X-Plane 11).
2. Start a new flight.
3. Open **SkySync** and leave it running in the background.

4. Rotate the physical Trim Wheel and confirm that:
 - The aircraft trim in X-Plane moves correctly, and
 - The trim indicator responds accurately.
5. **Optional:** Fine-Tune Settings in **SkySync**
 - Go to the **Devices** tab.
 - Click the Trim Wheel icon to open the settings.

From here you can:

Adjust Sensitivity

In settings, make sure the lock icon is unlocked before changing the trim sensitivity. Rotate the sensitivity knob on the Trim Wheel to adjust how responsive the trim control feels. When finished, click the lock icon to prevent accidental changes.

Calibrate Indicator Position

If the physical indicator does not match the in-sim trim position, use the slider in settings to adjust the center based on the physical takeoff arrow.

Click **Save** after making adjustments.

IMPORTANT: Always leave SkySync running in the background. Minimize the window, but do not exit the application.

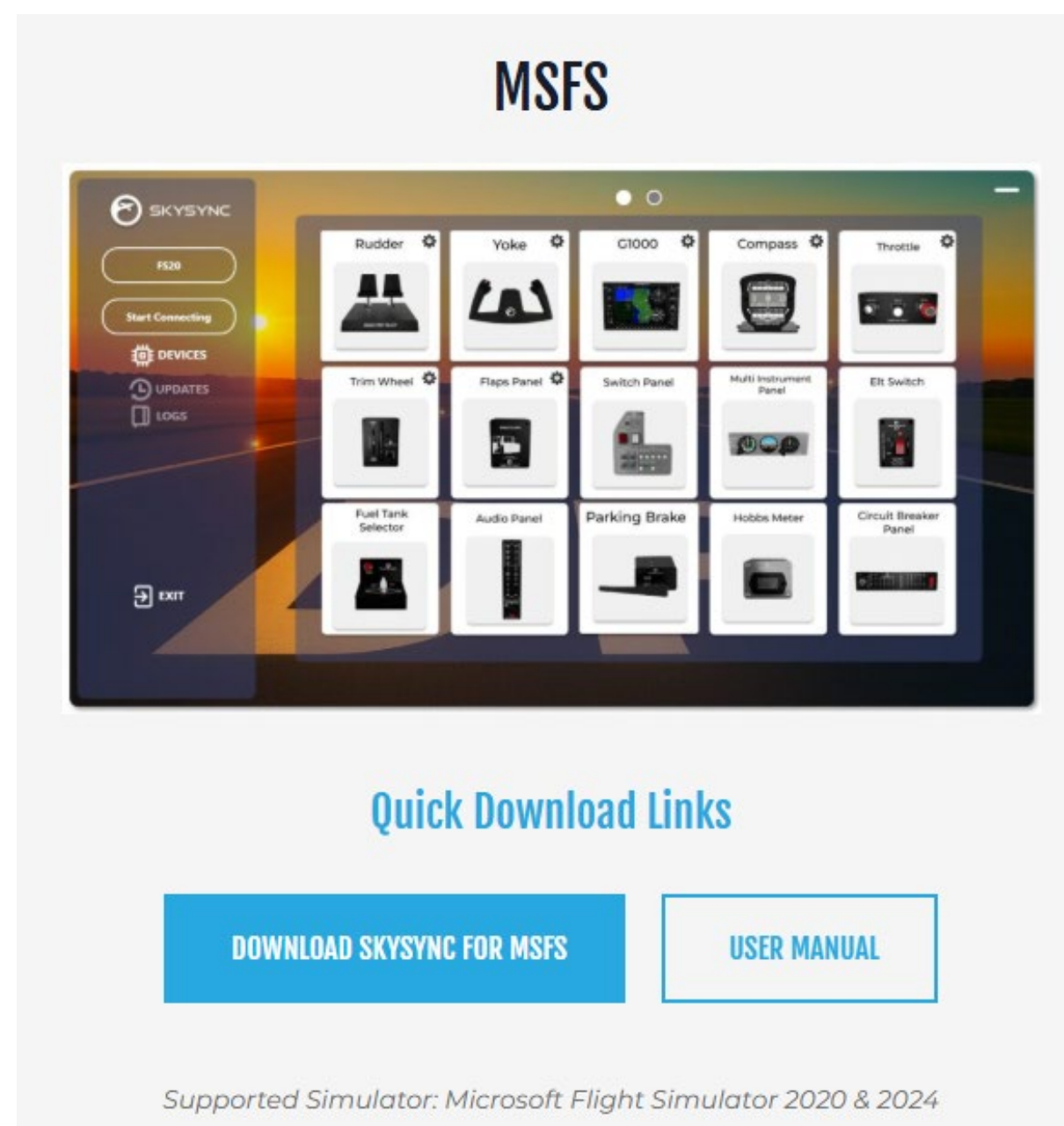
You're All Set! Happy Flying!

Setup Instructions

OPTION B: SETUP FOR MICROSOFT FLIGHT SIMULATOR 2020/2024

3) Install Required Software

1. Visit <https://www.desktoppilot.com/software/>
2. Download the latest version of **SkySync for MSFS**.



3. Run the installer and complete installation.

Tip: Pin SkySync to your Start menu or taskbar for quick access.

4. Open SkySync, then select **Plugin** (top right) → **Insert**.
A pop-up will confirm the plugin was inserted successfully. Close SkySync.

Setup Instructions

4) Connect & Calibrate

1. Launch **MSFS 2024** (or MSFS 2020).
2. Start a new flight.
3. Open **SkySync** and leave it running in the background.
4. Rotate the physical Trim Wheel and confirm that:
 - The aircraft trim in MSFS moves correctly, and
 - The trim indicator responds accurately.
5. **Optional:** Fine-Tune Settings in **SkySync**
 - Go to the **Devices** tab.
 - Click the Trim Wheel icon to open the settings.

From here you can:

Adjust Sensitivity

In settings, make sure the lock icon is unlocked before changing the trim sensitivity. Rotate the sensitivity knob on the Trim Wheel to adjust how responsive the trim control feels. When finished, click the lock icon to prevent accidental changes.

Calibrate Indicator Position

If the physical indicator does not match the in-sim trim position, use the slider in settings to adjust the center based on the physical takeoff arrow.

Click **Save** after making adjustments.

IMPORTANT: Always leave SkySync running in the background. Minimize the window, but do not exit the application.

You're All Set! Happy Flying!

Troubleshooting Guidelines

Trim Indicator Does Not Move During Flight

Problem: The physical trim indicator remains stationary even when trim input is applied.

Solution:

1. Ensure the Trim Wheel with Indicator is properly connected via USB.
2. Verify that **SkySync** is open and running.
3. Confirm that the simulator (e.g., MSFS or X-Plane) is running and that trim changes are occurring in the virtual aircraft.
4. If data synchronization appears to be stalled, restart **SkySync** and the simulator.

Trim Indicator Misaligned with Physical Takeoff Arrow

Problem: The trim indicator does not point to the correct center (takeoff) position, even though the trim is neutral in the simulator.

Solution:

1. In **SkySync**, go to the **Devices** tab and click the Trim Wheel icon to open its' settings. Use the slider to adjust the indicator's center position so it aligns with the physical takeoff arrow.
2. Ensure the Trim Wheel is mounted level and properly secured.

Sensitivity Knob Does Not Change Trim Response

Problem: Rotating the sensitivity knob has no effect on trim responsiveness.

Solution:

1. Ensure **SkySync** is running and that the device is detected.
2. In **SkySync**, go to the **Devices** tab and click the Trim Wheel icon to open its' settings. Check whether the **Sensitivity Lock** function is enabled. If so, disable it to allow adjustments.
3. Rotate the sensitivity knob through its full range to confirm the internal contacts are registering movement.
4. Disconnect and reconnect the USB cable, then reopen **SkySync** to re-establish communication.

Troubleshooting Guidelines

Device Not Detected by Computer

Problem: The Trim Wheel with Indicator does not appear as a connected device on your computer.

Solution:

1. Ensure the USB Type-B to Type-A cable is firmly connected at both ends.
2. Try a different USB port or use a known-good USB cable.
3. Restart the computer, then reconnect the device after the operating system has fully loaded.
4. If the device is still not recognized, connect it to another computer to rule out possible device failure.

Trim Wheel Feels Too Tight or Too Loose

Problem: The wheel has unexpected resistance or turns too freely.

Solution:

1. Insert an Allen wrench into the resistance adjustment slot on the wheel.
2. Turn clockwise to increase resistance or counterclockwise to decrease it.
3. Make small adjustments and test the feel between changes.
4. Do not overtighten, as excessive force may damage internal components.

Trim Reset Function Not Working

Problem: Holding the sensitivity knob does not re-center the indicator.

Solution:

1. Ensure the simulator and **SkySync** are running and the device is connected.
2. Press and hold the sensitivity knob firmly for at least one full second. Brief taps will not trigger the reset function.
3. Restart the simulator and **SkySync** if input appears stalled.

Frequently Asked Questions

Is the Trim Wheel with Indicator compatible with Microsoft Flight Simulator (MSFS) and X-Plane?

Yes. The Trim Wheel with Indicator is fully supported in both MSFS 2020 / 2024 and X-Plane 11 / 12 when used with **SkySync Desktop Pilot**.

Does the Trim Wheel with Indicator work on Xbox or PlayStation?

No. The device functions as a serial device and requires **SkySync Desktop Pilot**, which is available only on Windows PCs.

Console platforms such as Xbox and PlayStation do not support this type of USB communication or third-party software integration.

Does the trim indicator move automatically when the aircraft's trim changes?

Yes. When connected to **SkySync Desktop Pilot**, the servo-driven indicator reflects real-time trim changes from the simulator — including adjustments made by autopilot or other control inputs. This ensures accurate visual feedback that matches in-sim aircraft behavior.

Will the trim sensitivity setting stay the same between sessions?

Yes. **SkySync Desktop Pilot** automatically saves the most recent sensitivity setting between sessions.

The **Sensitivity Lock** feature can also be enabled to prevent in-flight changes or accidental adjustments.

After the initial installation, how do I start a flight with my Trim Wheel?

Launch your flight simulator (MSFS or X-Plane) and start a new flight. Open **SkySync** and minimize it to run in the background. Your previous settings are saved, so you don't need to adjust anything unless calibration is required. Repeat this procedure each time you start the simulator.

Desktop Pilot

Your ticket to the virtual skies!

Need Help or Have Suggestions?

If you're experiencing an issue not covered in this guide, would like to report a bug, or have ideas for improvement — we're here to help.

Contact Us

Email: support@desktoppilot.com

Phone: +1-888-296-9150

Support Hours

Monday–Friday

10:00 AM – 6:00 PM (EST)

Visit Us Online

<https://www.desktoppilot.com/>

Your feedback helps us improve the experience. Don't hesitate to reach out — we'd love to hear from you!

*Manuals and troubleshooting steps are updated periodically. To access the latest full version of this manual and updated troubleshooting tips, visit:

<https://www.desktoppilot.com/manuals/trim-wheel-with-indicator-user-manual/>