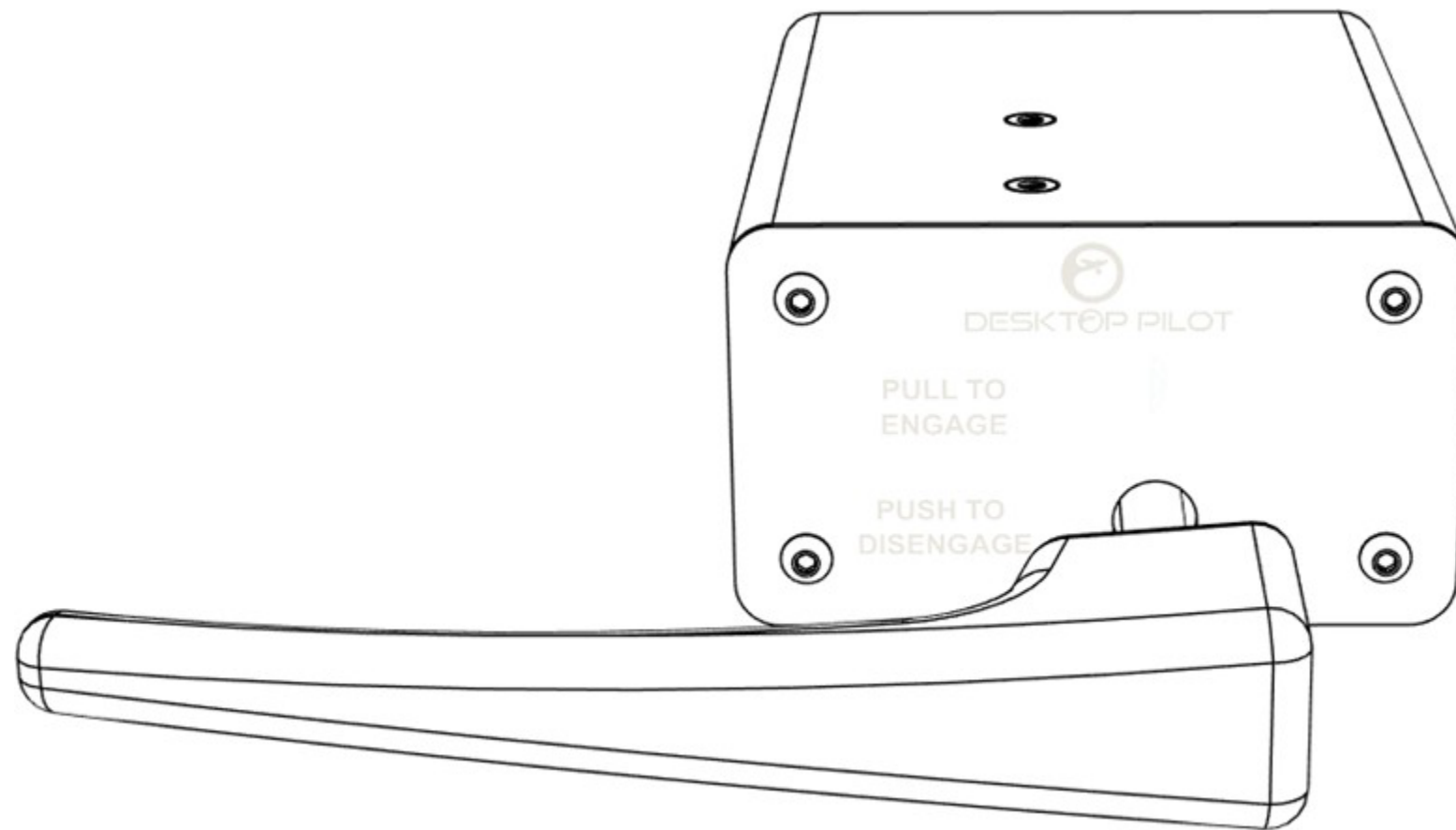


# DESKTOP PILOT

## Parking Brake

DP-PB-02

## User Manual

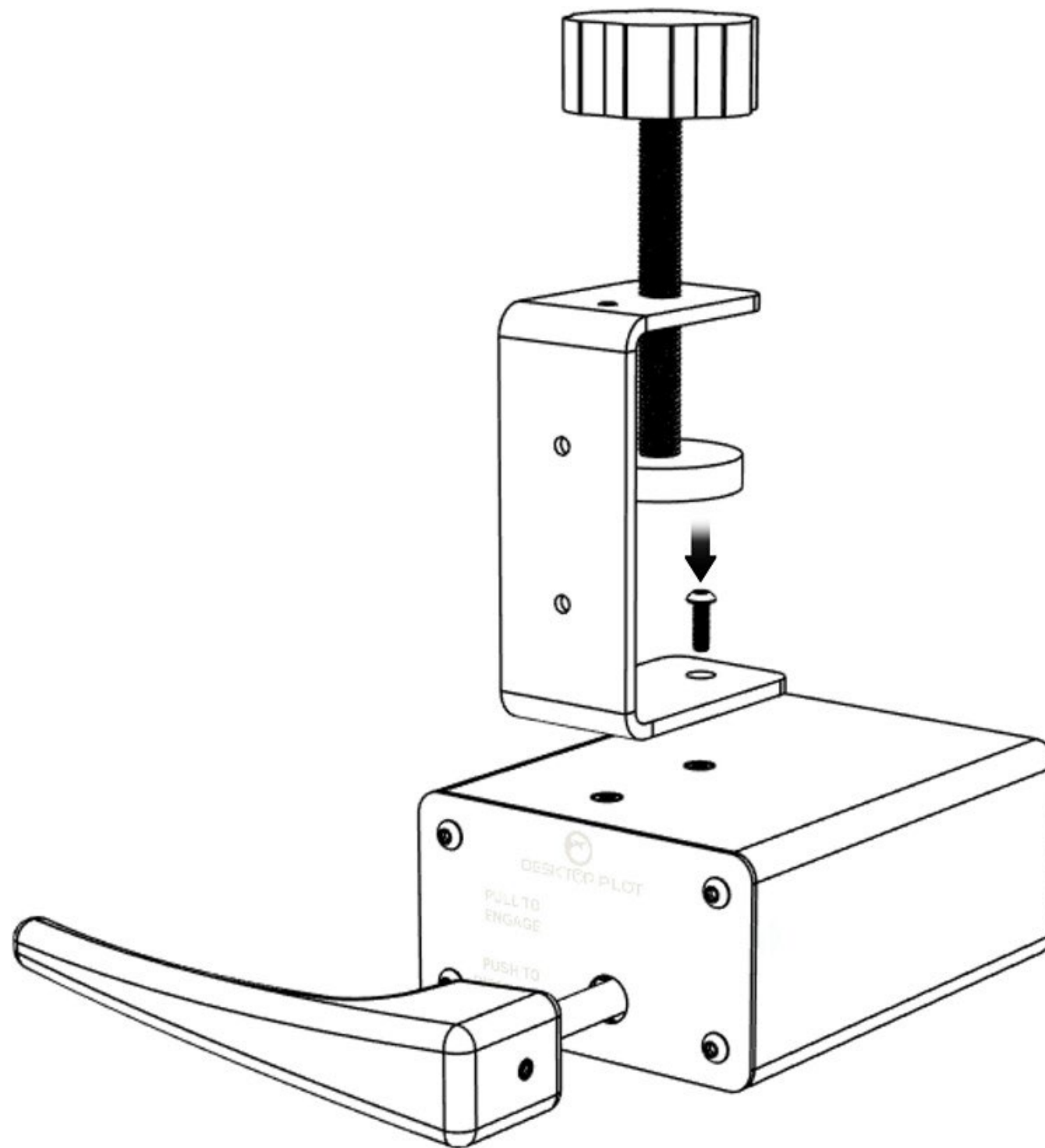


Joystick  
Manual Version: 1.2

# MOUNTING OPTIONS

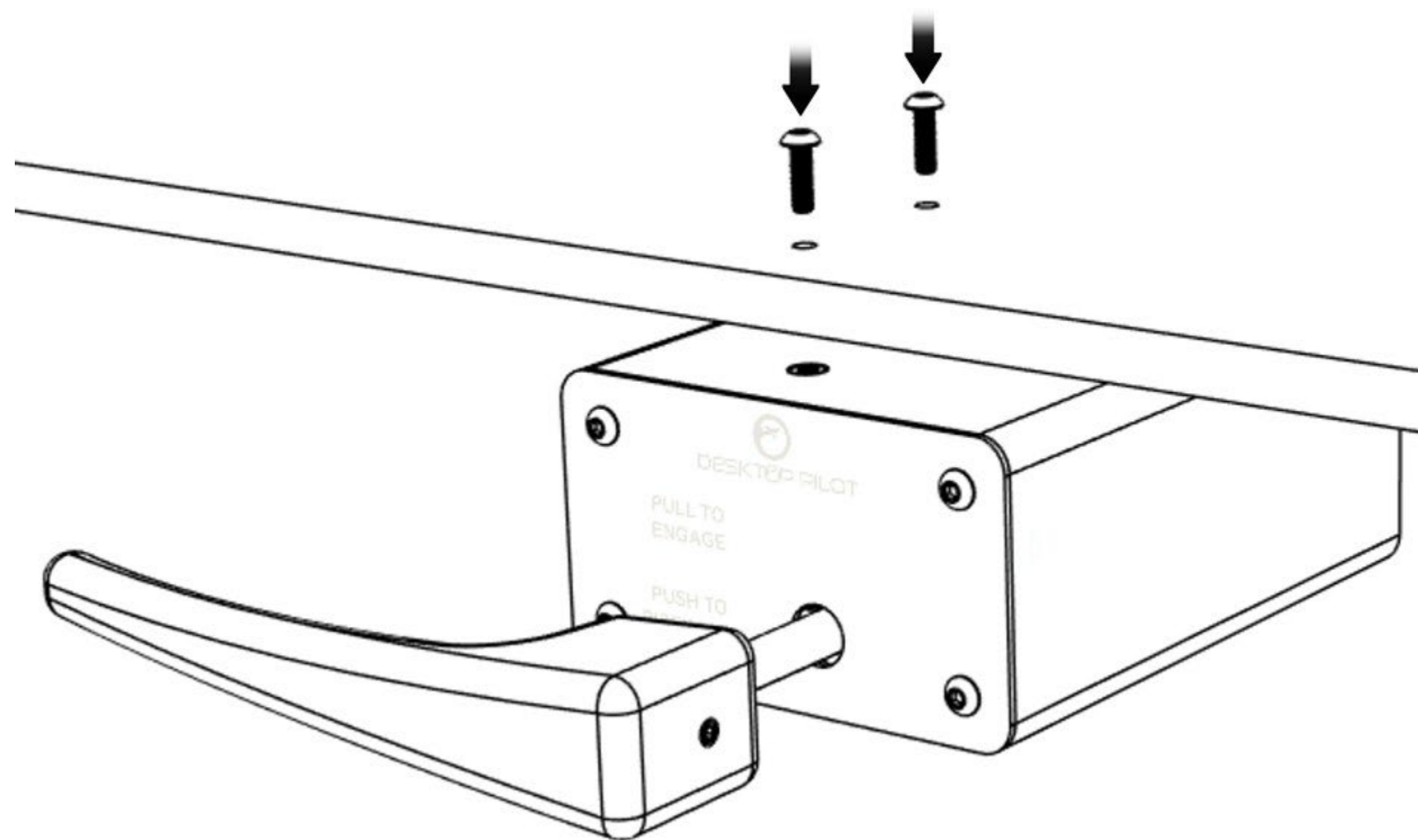
## Clamp Mounting

Attach the clamp (sold separately) using the mounting holes on the top or base, along with M3 screws.



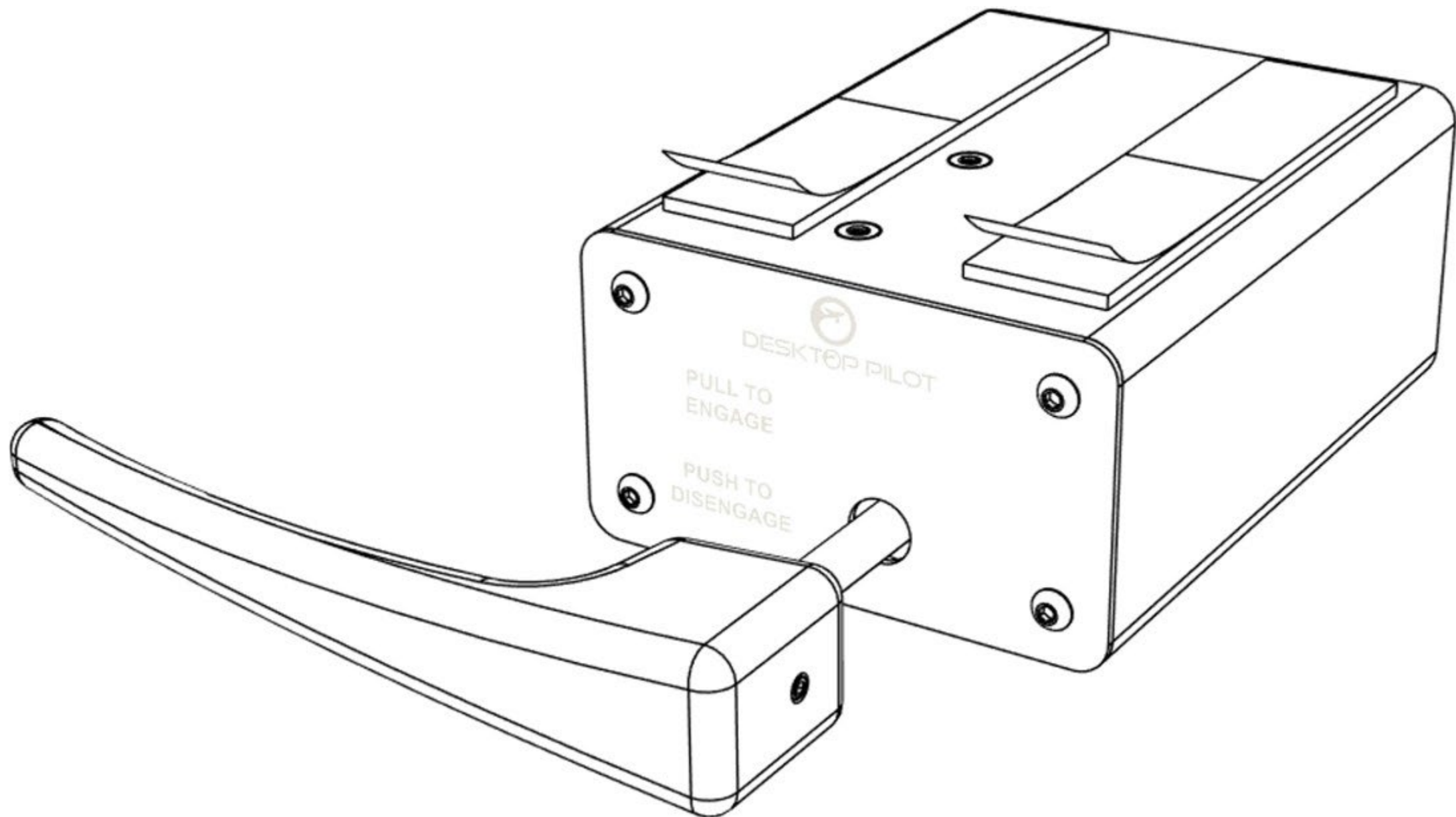
## Screw Mounting

Secure the product to the surface using the top or base mounting holes with M3 screws.



## Adhesive Mounting

Apply the double-sided tape to either side of the product, then press the product firmly onto the surface to secure it in place.



# PRODUCT SPECIFICATIONS

## **What's in the box?**

- USB Type-A to Type-B Cable
- Parking Brake
- Double-sided VHB Tape

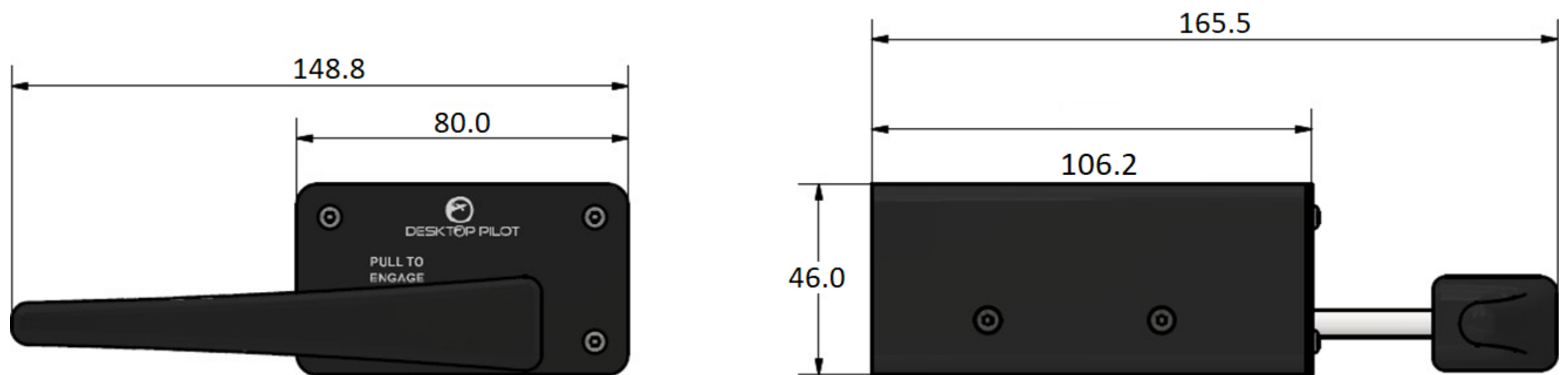
## Product Weight/Dimensions

### Dimensions (L x W x H):

148.8mm × 165.5mm × 46mm / 5.86 in × 6.52 in × 1.81 in

### Weight:

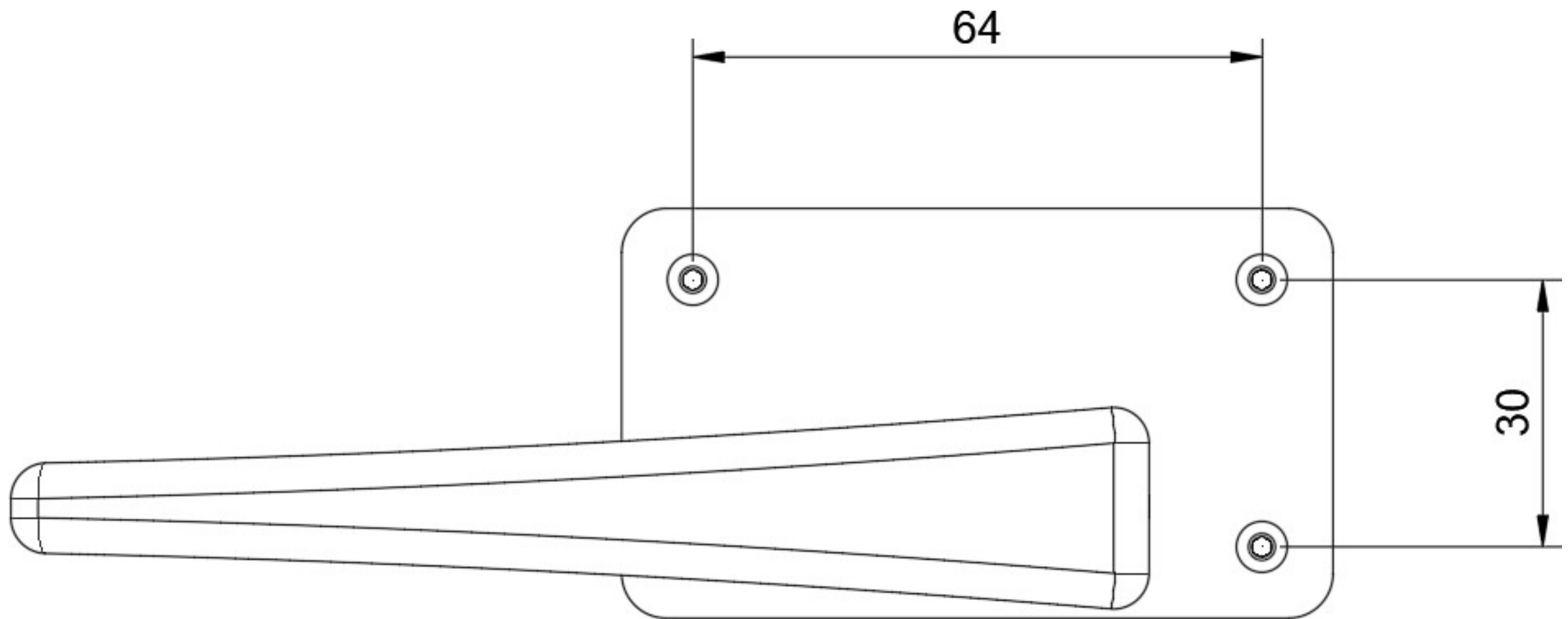
0.66lbs / 300g



All dimensions shown in the image are in **mm**

**Panel hole dimensions (W x H):**

64mm × 30mm / 2.52 in × 1.18 in



All dimensions shown in the image are in **mm**

# Safety, Maintenance, and Care Guidelines

---

To ensure safe use and extend the lifespan of the **Parking Brake** follow these recommendations:

## Safety Precautions

- **Proper Use:** Keep the unit dry and free from moisture. Use only certified USB power sources.
- **Heat & Ventilation:** Avoid placing the device near heat sources or in direct sunlight.
- **Material Care:** Avoid solvents or abrasive cleaners; plastic parts can deform above **60–65°C (140–149°F)**.
- **Handling:** Handle device carefully to avoid damage. Keep out of reach of children and pets.
- **Disposal:** Follow local recycling rules for electronics and plastics.
- **Warranty:** Unauthorized modification or disassembly may void the warranty. Contact support for approved repairs or servicing.

## Maintenance and Care

- **Surface Cleaning:** Use a soft, dry microfiber cloth to clean exterior surfaces. Avoid liquid cleaners and alcohol-based solutions.
- **USB Port Care:** Ensure USB Type B connection remains secure and free from debris. Minimize unnecessary unplugging to reduce port wear.
- **Storage:** Store in a dry, dust-free environment away from direct sunlight when not in use.

# Setup Instructions

---

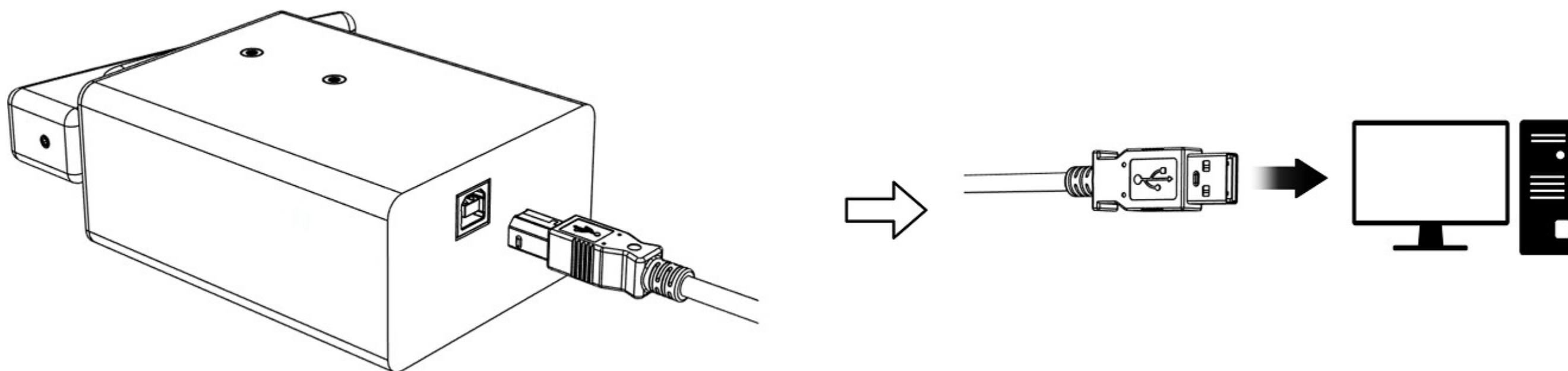
## 1) (Optional) Mount the Device

Refer to the **Mounting Options** section of this manual for instructions on securing the device.

---

## 2) Establish USB Communication

- Connect the **Type-B** end of the included USB cable to the Parking Brake.
- Connect the **Type-A** end to a USB port on your PC.



---

## Software Setup & Configuration

**Complete setup based on the flight simulator software you are using:**

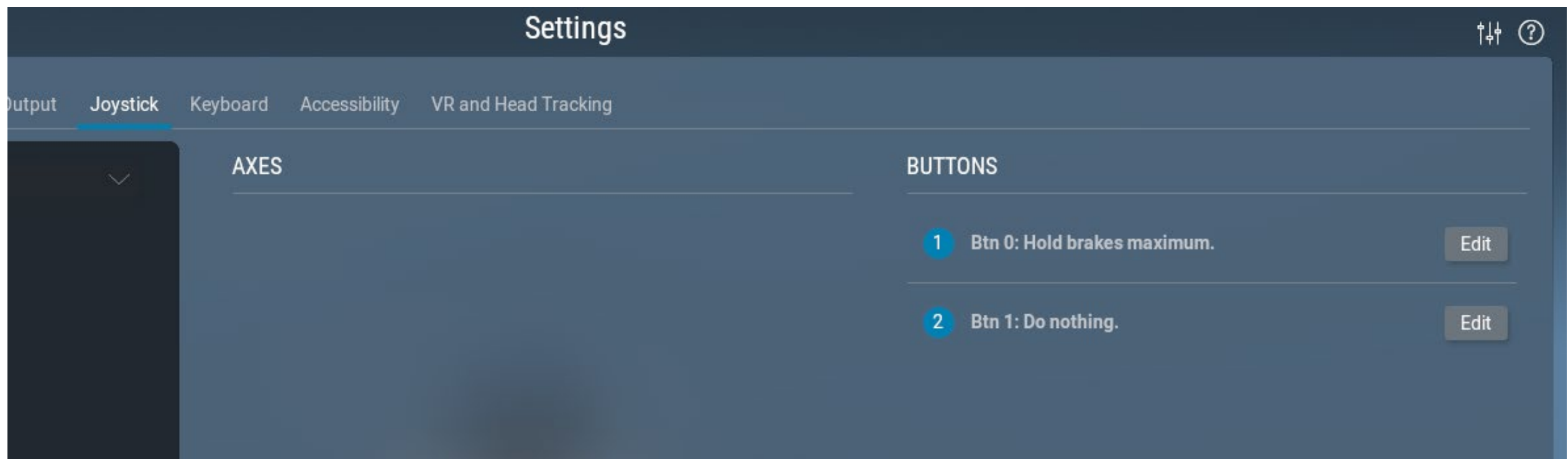
- Option A: Setup for X-Plane 11/12.....page 9
- Option B: Setup for Microsoft Flight Simulator 2020 (MSFS 2020).....page 10
- Option C: Setup for Microsoft Flight Simulator 2024 (MSFS 2024).....page 11

# Setup Instructions

---

## OPTION A: SETUP FOR X-PLANE 11/12

### 3) Configure the Parking Brake in X-Plane 11/12



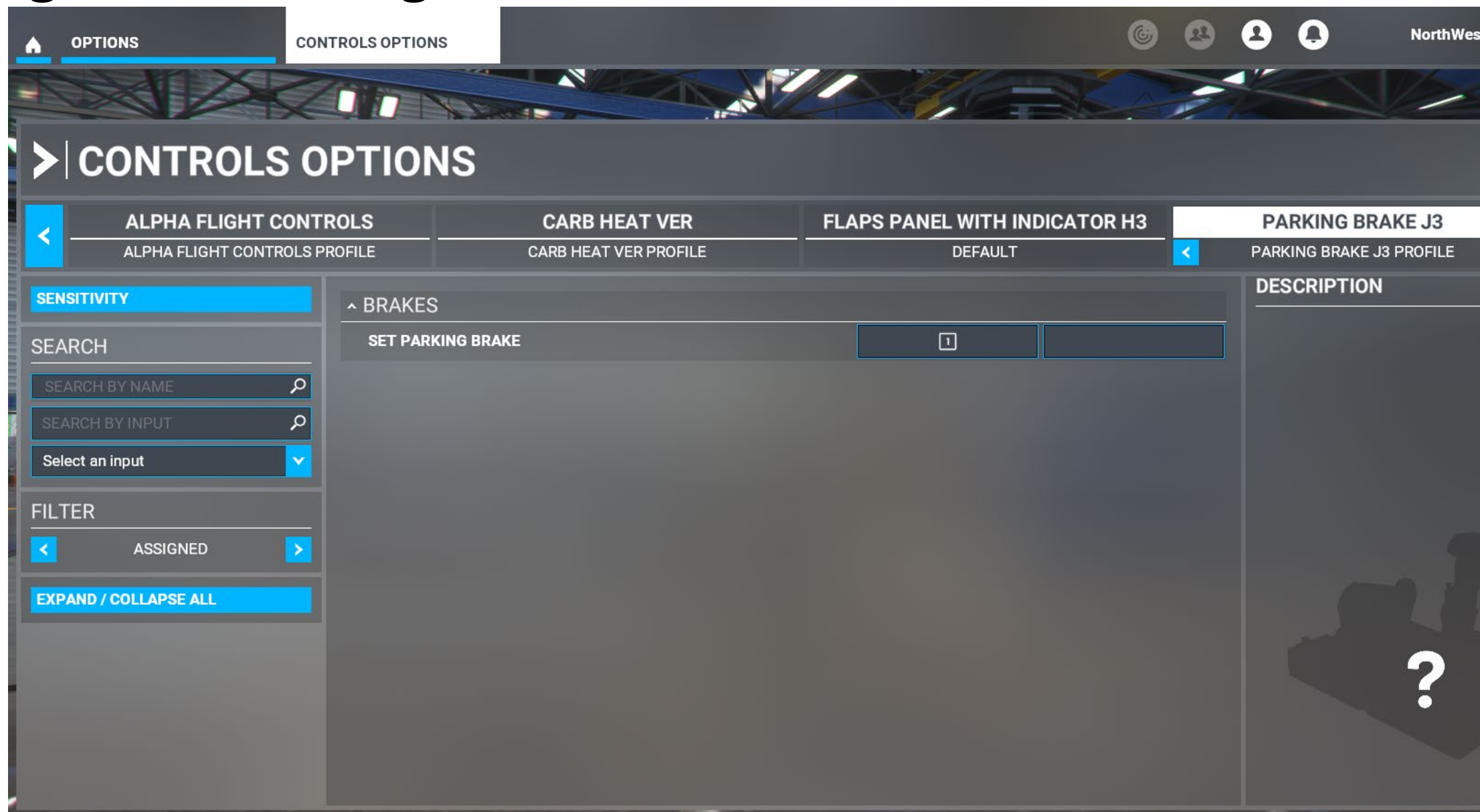
- Go to X-Plane's **Settings** and navigate to the **Joystick** tab.
- In the device list, click the dropdown menu and select "**Parking Brake**"
- Now assign the buttons as follows:
  - **1. Btn 0** → Click **Edit**, then search for "**Hold brakes maximum**" and assign it.
  - **2. Btn 1** → Click **Edit**, then search for "**Do nothing**" and assign it.
- Once assignments are complete, click "**Done**" in the bottom right corner of the screen.

**You're all set! Happy Flying!**

# Setup Instructions

## OPTION B: SETUP FOR MICROSOFT FLIGHT SIMULATOR 2020

### 3) Configure the Parking Brake in MSFS 2020



- In MSFS, open the **OPTIONS** menu.
- Select **CONTROLS OPTIONS**.
- From the device list at the top of the screen, select **PARKING BRAKE**.
- Search for the following functions and assign these commands:

<u>Function</u>	<u>Assigned Value</u>
SET PARKING BRAKE	1

- When prompted, create a new input profile (e.g., “**Desktop Pilot Parking Brake**”) and select “**apply to all aircraft**”.
- After completing all assignments, click **Apply & Save** in the lower-left corner of the screen.

**You're all set! Happy Flying!**

# Setup Instructions

## OPTION C: SETUP FOR MICROSOFT FLIGHT SIMULATOR 2024

### 3) Configure the Parking Brake in MSFS 2024



- In MSFS, open the **Settings** menu by clicking the **gear icon** in the upper-right corner.
- Select the **Controls** tab.
- Ensure the selected aircraft is the Cessna 172 Skyhawk (G1000 variant).
- If needed, change the aircraft by pressing **G** or selecting **Change Aircraft**.
- On the left side of the screen, select **“Parking Brake”** from the device list.

- Search for the following functions and assign these commands:

<b>Function</b>	<b>Assigned Value</b>
SET PARKING BRAKE	1

- When prompted, create a new input profile (e.g., “**Desktop Pilot Parking Brake**”) and (optional) select “**apply to all aircraft**”:
- Click “**Save and Back**”, return to the simulator, and test the control to verify proper response.

**You’re all set! Happy Flying!**

# Troubleshooting Guidelines

---

## **Handle Feels Too Tight or Too Loose**

- **Problem:** The parking brake handle feels unusually stiff or loose during operation.
- **Solution:**
  - Inspect the handle assembly for obstructions or misalignment.
  - Ensure the internal spring and collar are seated properly.
  - Avoid using lubricants or chemicals, as these may damage internal components.

## **Device Not Recognized by Computer**

- **Problem:** The Parking Brake does not appear in the operating system's device list.
- **Solution:**
  - Use a different USB port and ensure the cable is fully inserted on both ends.
  - Try a known working USB cable (Type B to Type A).
  - Reboot your computer and reconnect the device after the system has restarted.
  - Test the device on another computer to rule out hardware failure.

## **Parking Brake Doesn't Lock or Unlock Properly**

- **Problem:** The handle does not stay in the locked position or fails to disengage.
- **Solution:**
  - Verify the rod is fully pulled before twisting to engage or release the brake.
  - Confirm the 90° twist is completed firmly in either direction.
  - Check for debris or warping that may prevent full rotation.

## **Device Disconnecting During Use**

- **Problem:** The Parking Brake intermittently disconnects from the PC during use.
- **Solution:**
  - Check the USB cable for any visible damage or wear. Try using a different cable if necessary.
  - Try connecting the device directly to your PC's USB port instead of using a USB hub.
  - If the problem continues, test the device on another computer to determine whether the issue is specific to the original PC.

# Frequently Asked Questions

---

## **Is the Parking Brake compatible with simulator cockpit setups?**

Yes, the Parking Brake is compatible with simulator cockpit setups. It supports clamp mounting, direct screw installation, and adhesive mounting with double-sided VHB tape for easy setup across desktop and cockpit environments.

## **Is the Parking Brake compatible with Xbox?**

No. The Parking Brake is not supported on Xbox game consoles.

## **Is the Parking Brake compatible with other flight sim peripherals?**

Yes. It functions as a standalone joystick and operates independently of other simulator hardware. Fully compatible with yokes, throttle quadrants, panels, rudder pedals, and additional custom components.

## **Is the parking brake input analog or digital?**

Digital. The handle operates a limit switch that triggers a button input. The button state changes after the twist-lock mechanism sets the brake to the engaged or disengaged position.

# Desktop Pilot

## Your ticket to the virtual skies!

### Need Help or Have Suggestions?

If you're experiencing an issue not covered in this guide, would like to report a bug, or have ideas for improvement — we're here to help.

### Contact Us

Email: [support@desktoppilot.com](mailto:support@desktoppilot.com)

Phone: +1-888-296-9150

### Support Hours

Monday–Friday

10:00 AM – 6:00 PM (EST)

### Visit Us Online

<https://www.desktoppilot.com/>

Your feedback helps us improve the experience. Don't hesitate to reach out — we'd love to hear from you!

\*Manuals and troubleshooting steps are updated periodically. To access the latest full version of this manual and updated troubleshooting tips, visit:

<https://www.desktoppilot.com/manuals/parking-brake-user-manual/>