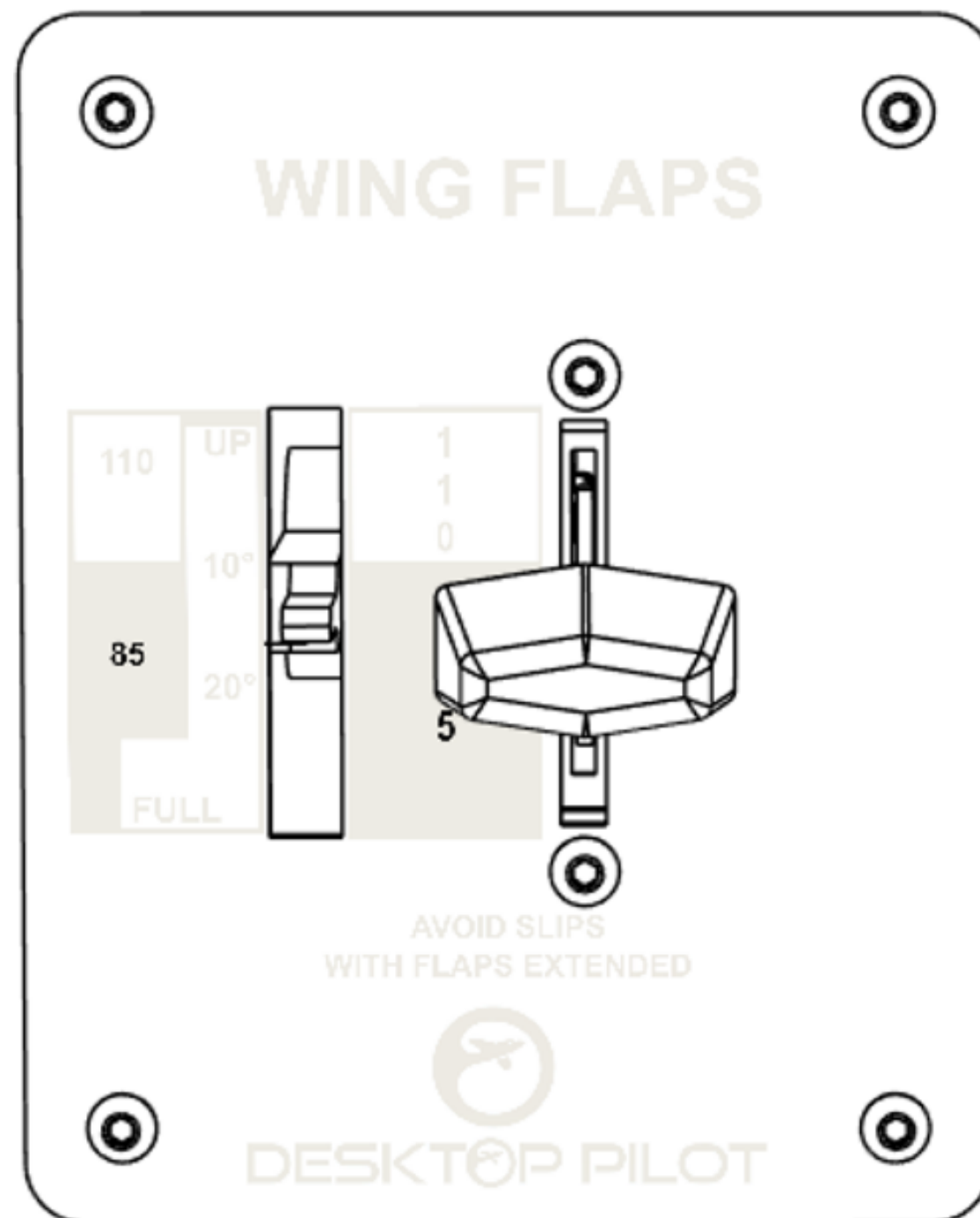


# DESKTOP PILOT

## Flaps Panel with Indicator

DP-FP-02

### User Manual

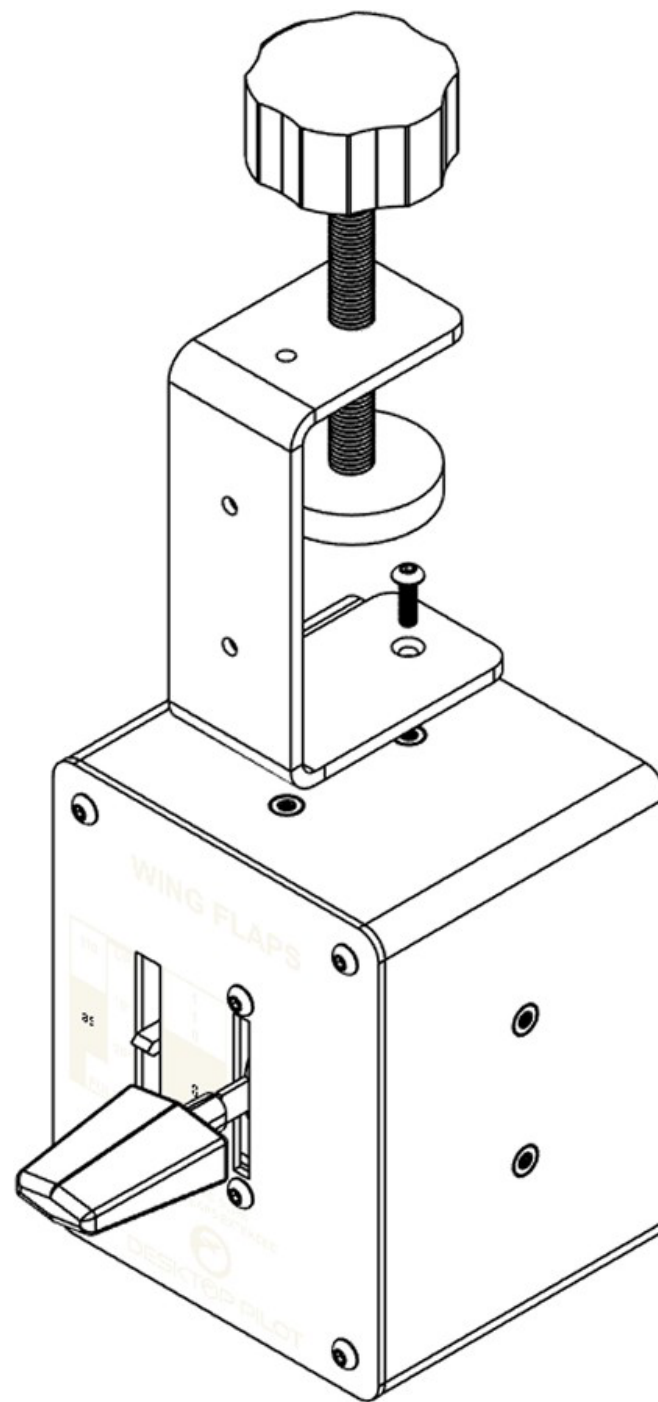


Joystick  
Manual Version: 1.2

# MOUNTING OPTIONS

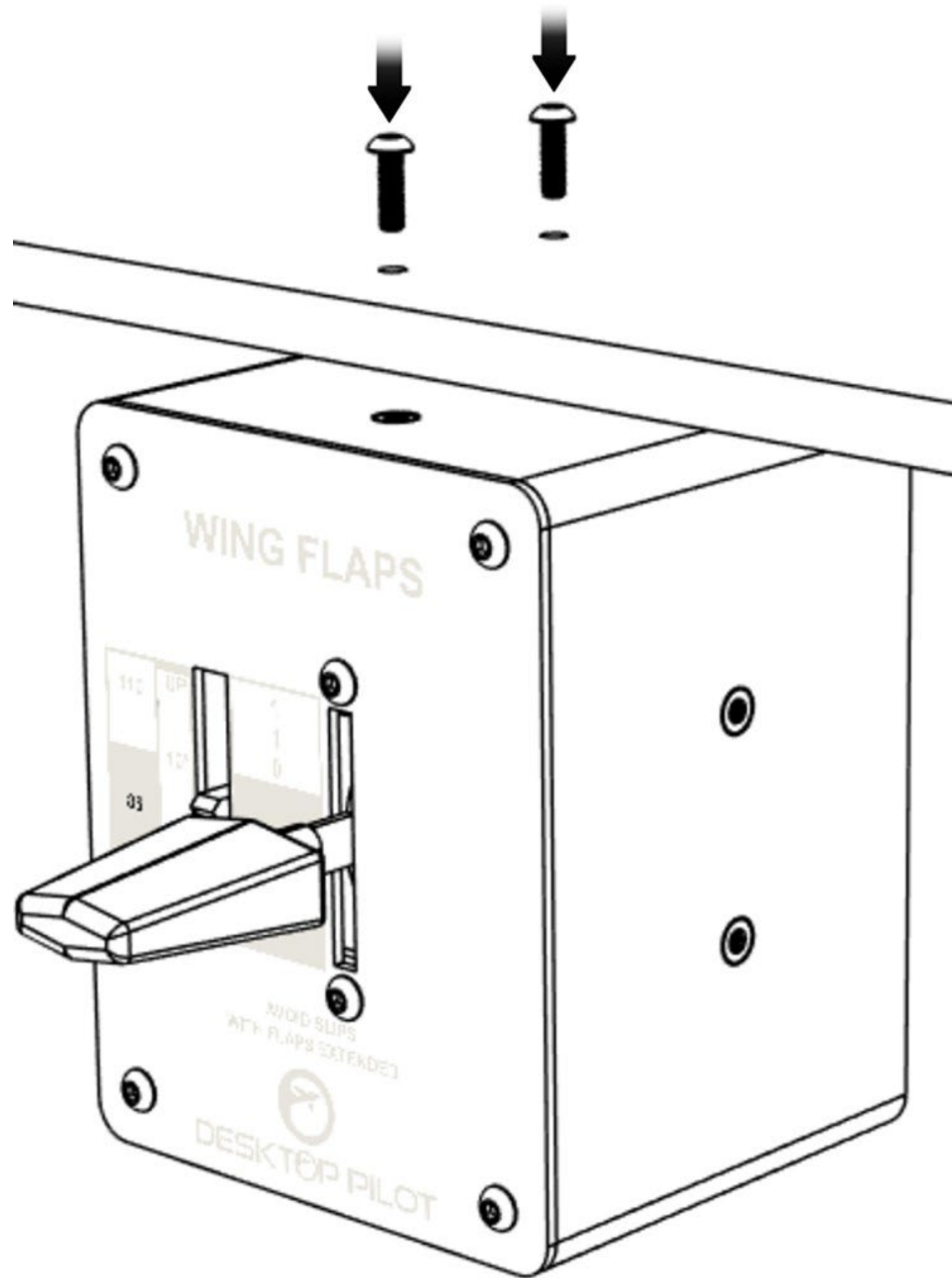
## Clamp Mounting

Attach the clamp (sold separately) to the mounting holes on the top, sides, or base depending on preferred setup.



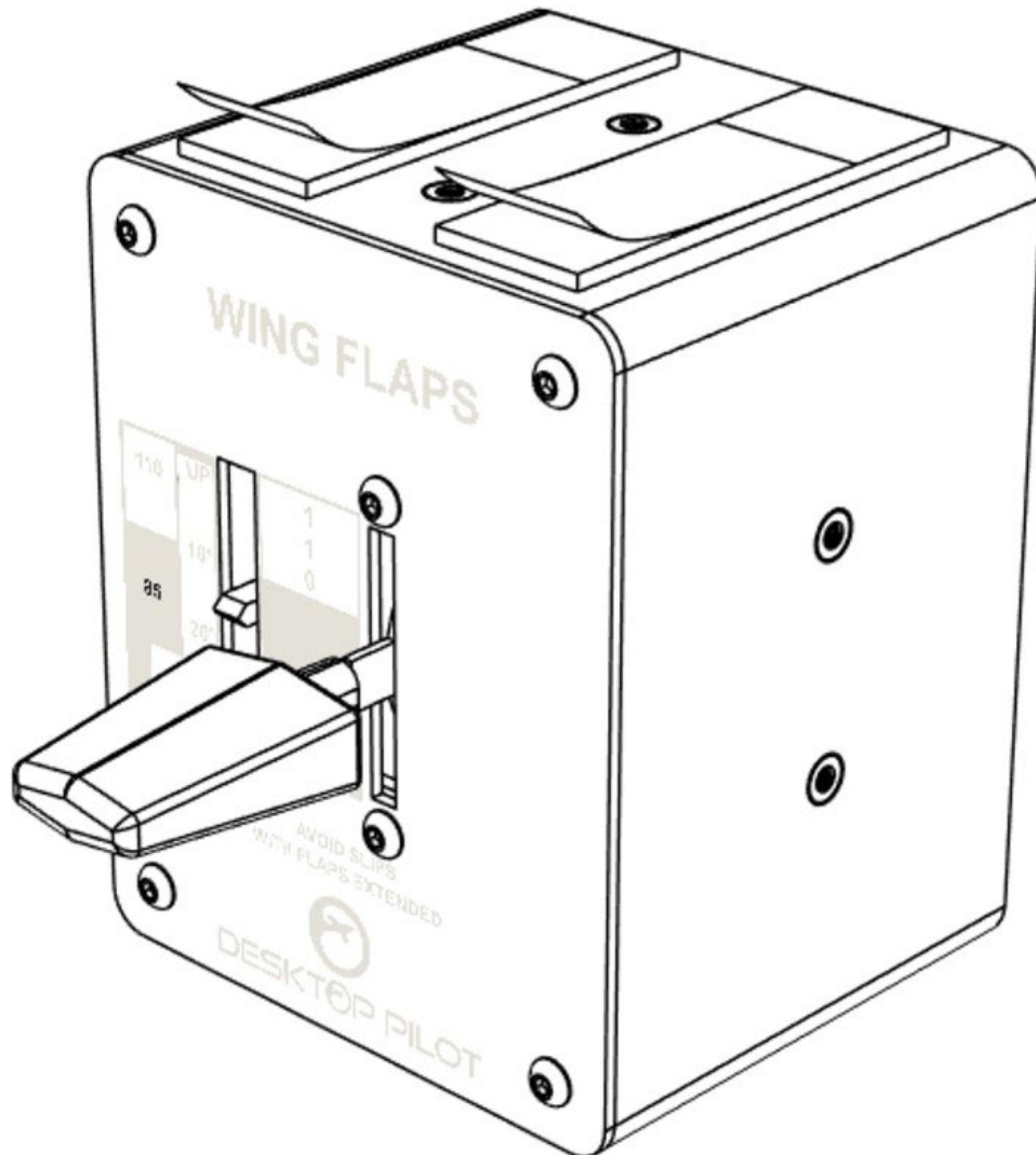
## Screw Mounting

Secure the product directly to the surface using the top, side, or base mounting holes with M3 screws.



## Adhesive Mounting

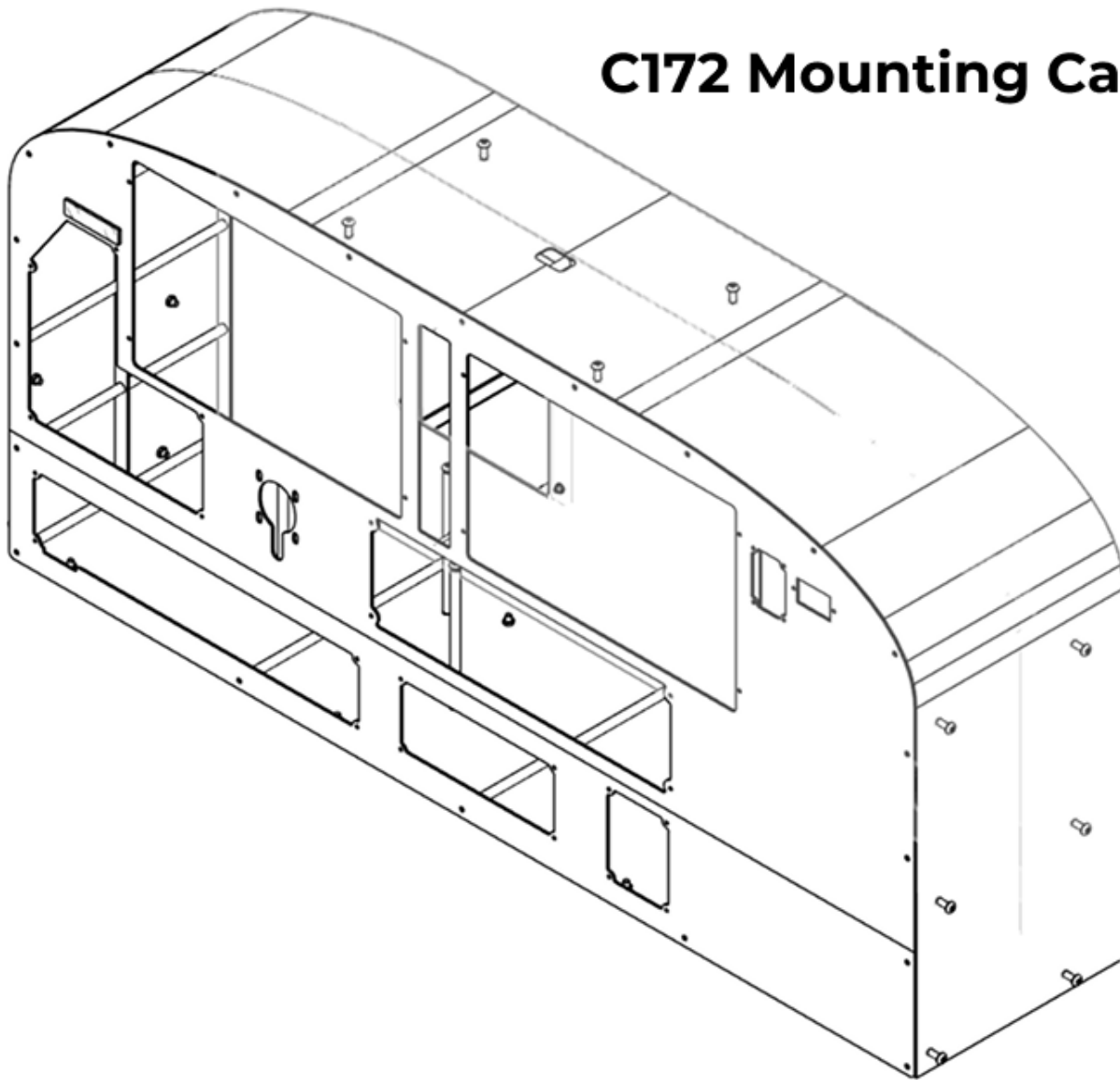
Apply the double-sided tape to any side of the product, then press the product firmly onto the surface to secure it in place.



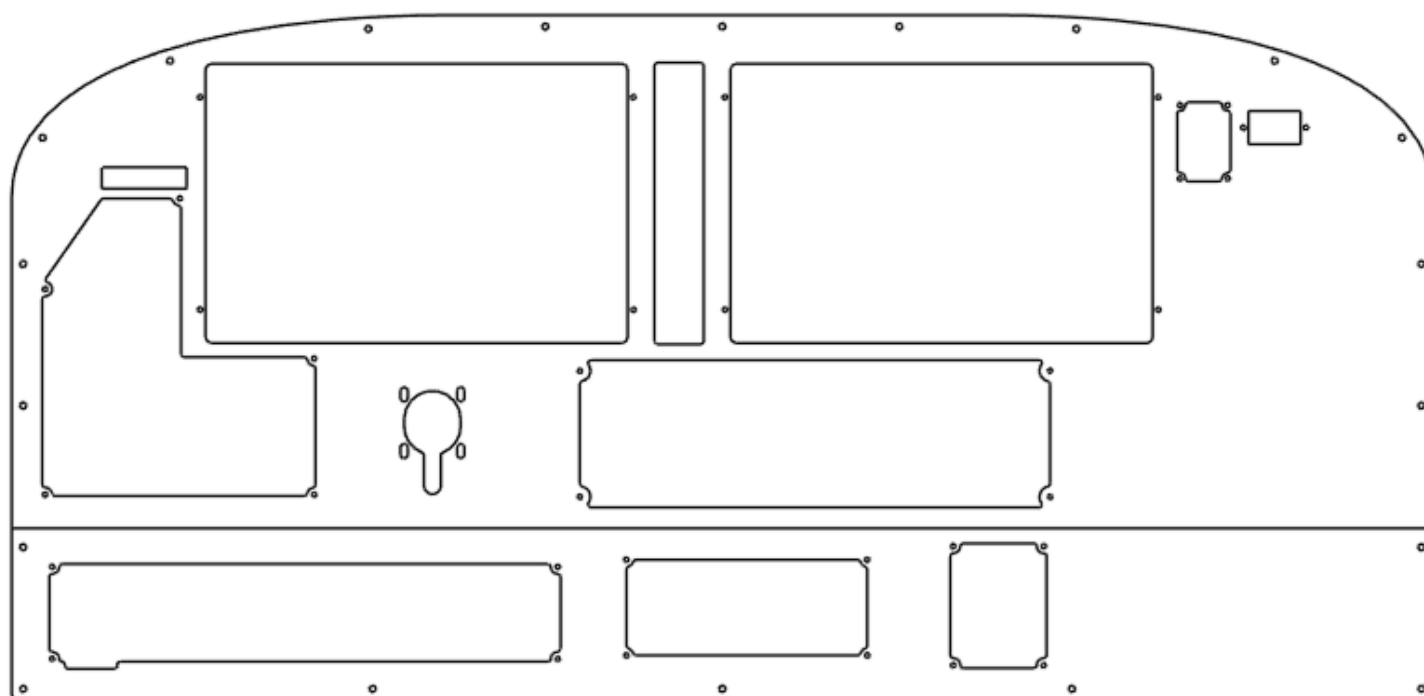
# Cabinet Mounting / Panel Mounting

Screw the product directly to the cabinet or panel as shown here.

**C172 Mounting Cabinet**



**C172 Mounting Panel**



# PRODUCT SPECIFICATIONS

## **What's in the box?**

- Flaps Panel with Indicator
- USB Type-A to Type-B Cable
- Double-sided VHB Tape

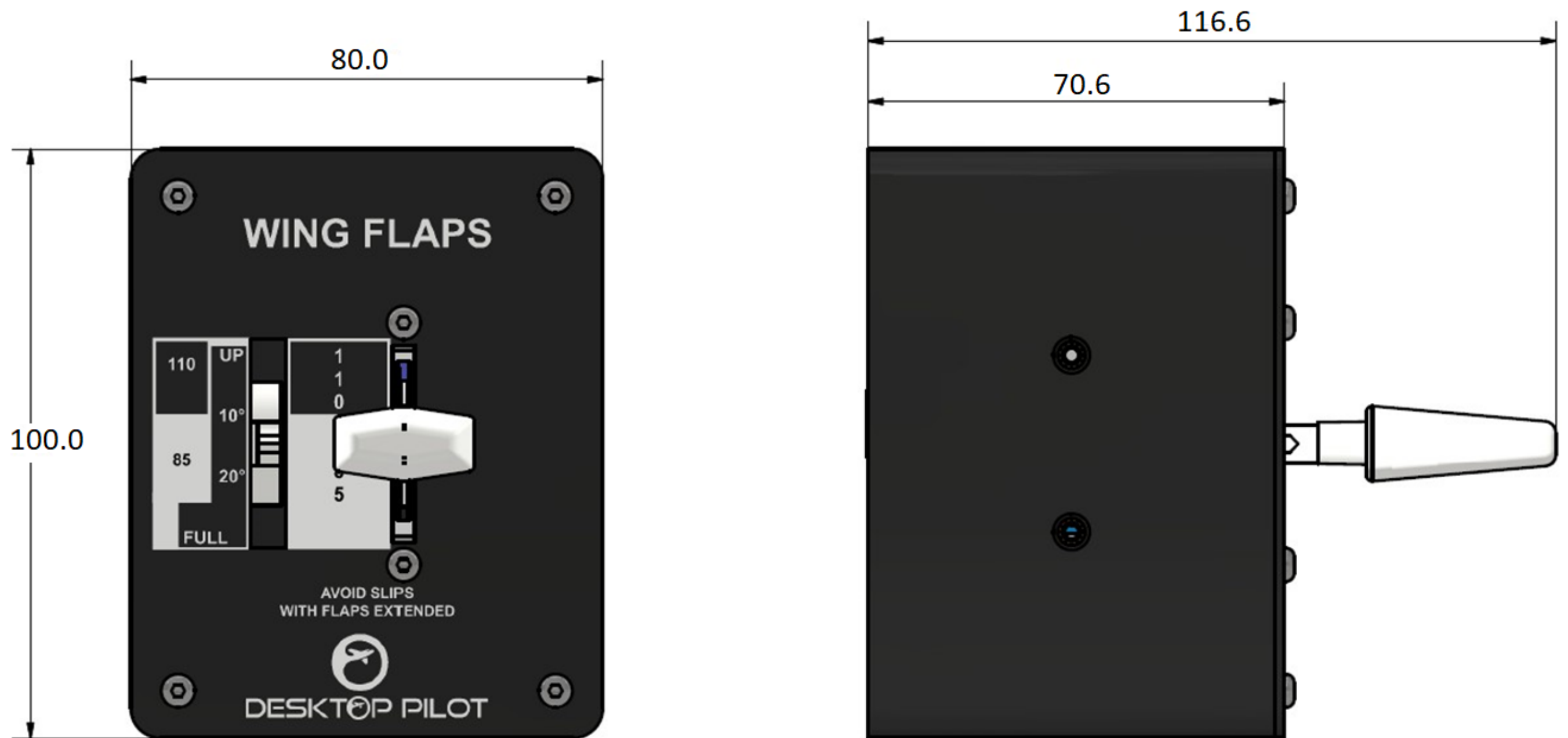
## Product Weight/Dimensions

### Dimensions (L x W x H):

80mm × 116.6mm × 100mm / 3.15 in × 4.59 in × 3.94 in

### Weight:

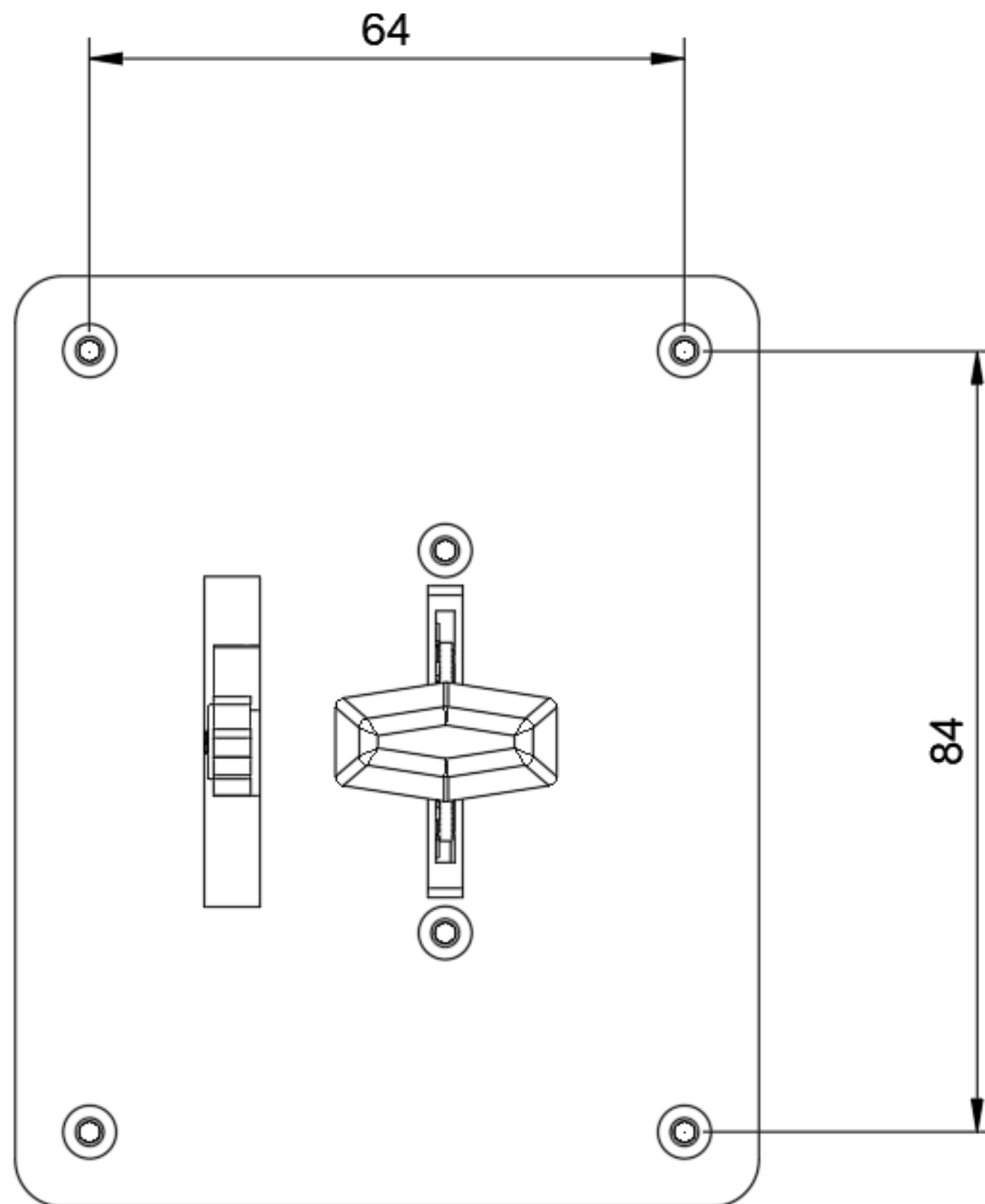
0.48lbs / 219g



All dimensions shown in the image are in **mm**

**Panel hole dimensions (W x H):**

64mm × 84mm / 2.52 in × 3.31 in



All dimensions shown in the image are in **mm**

# Safety, Maintenance, and Care Guidelines

---

To ensure safe use and extend the lifespan of the **Flaps Panel with Indicator**, follow these recommendations:

## Safety Precautions

- **Proper Use:** Keep the unit dry and free from moisture. Use only certified USB power sources.
- **Heat & Ventilation:** Avoid placing the device near heat sources or in direct sunlight.
- **Material Care:** Avoid solvents or abrasive cleaners; plastic parts can deform above **60–65°C (140–149°F)**.
- **Handling:** Handle device carefully to avoid damage. Keep out of reach of children and pets.
- **Disposal:** Follow local recycling rules for electronics and plastics.
- **Warranty:** Unauthorized modification or disassembly may void the warranty. Contact support for approved repairs or servicing.

## Maintenance and Care

- **Surface Cleaning:** Use a soft, dry microfiber cloth to clean exterior surfaces. Avoid liquid cleaners and alcohol-based solutions.
- **USB Port Care:** Ensure USB Type B connection remains secure and free from debris. Minimize unnecessary unplugging to reduce port wear.
- **Storage:** Store in a dry, dust-free environment away from direct sunlight when not in use.

# Setup Instructions

---

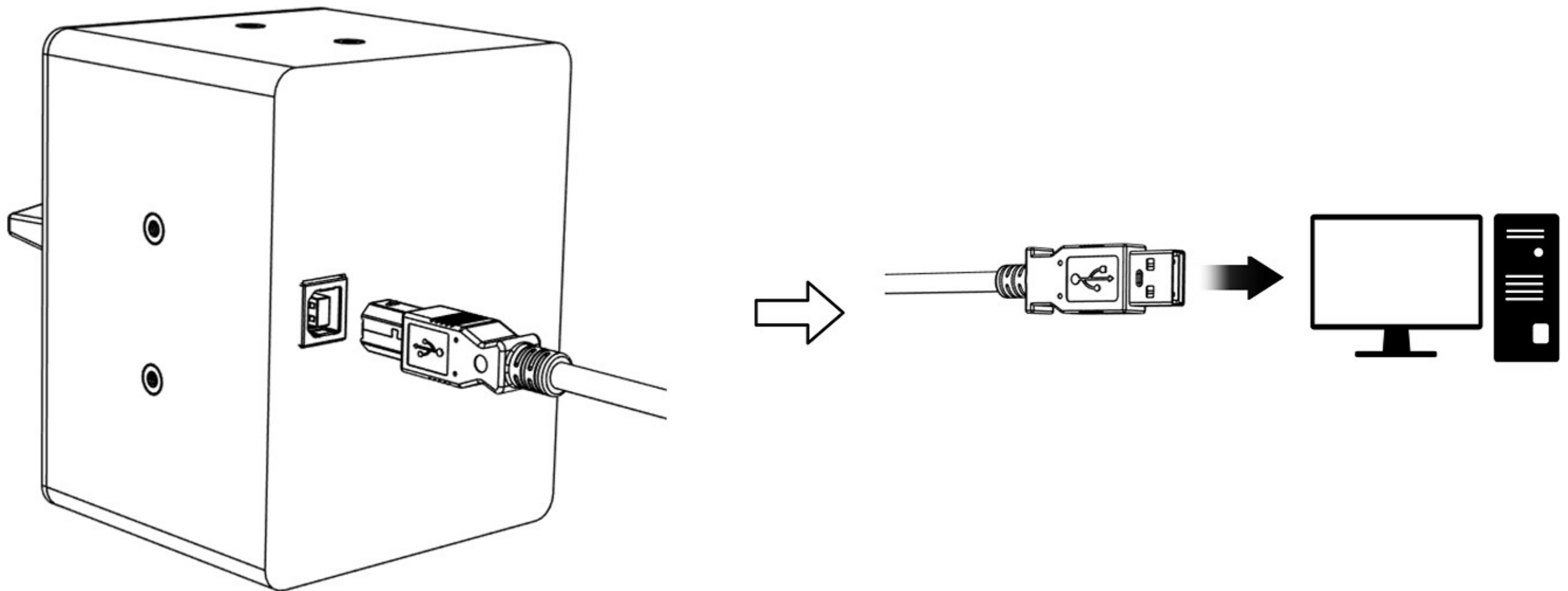
## 1) (Optional) Mount the Device

Refer to the **Mounting Options** section of this manual for instructions on securing the device.

---

## 2) Establish USB Communication

- Connect the **Type-B** end of the included USB cable to the Flaps Panel.
- Connect the **Type-A** end to a USB port on your PC.



# Setup Instructions

---

## Software Setup & Configuration

**Complete setup based on the flight simulator software you are using:**

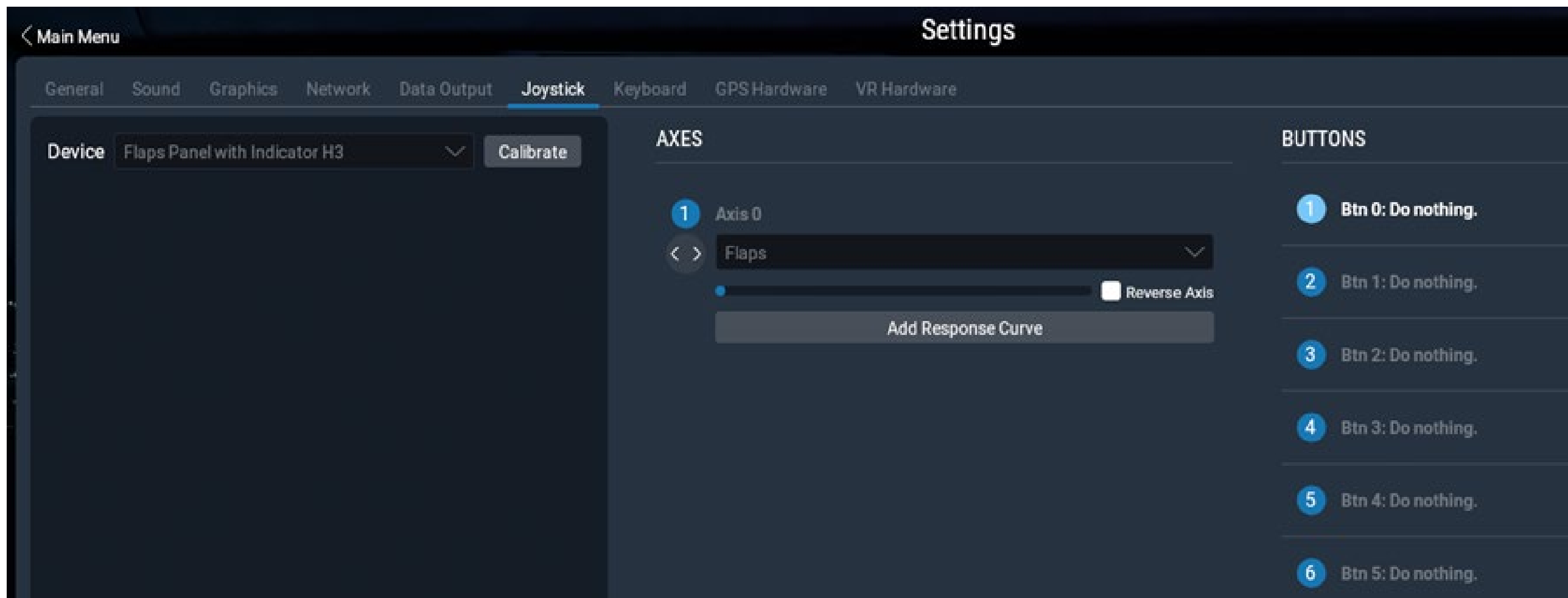
Option A: Setup for X-Plane 11.....	page 11
Option B: Setup for X-Plane 12.....	page 12
Option C: Setup for Microsoft Flight Simulator (MSFS) 2020.....	page 14
Option D: Setup for Microsoft Flight Simulator (MSFS) 2024.....	page 15

# Setup Instructions

---

## OPTION A: SETUP FOR X-PLANE 11

### 2) Configure the Flaps Panel in X-Plane 11



- Go to X-Plane’s **Settings** and navigate to the **Joystick** tab.
- In the device list, click the dropdown menu and select **“Flaps Panel with Indicator”**
- Assign Axis 0 by selecting Flaps from the dropdown menu for Axis 0.
- Once assignments are complete, click **“Done”** in the bottom right corner of the screen.

**Note:** If moving the lever on the physical flaps panel causes the flaps in the X-Plane aircraft to move in the opposite direction, return to the flaps panel settings and select the **Reverse Axis** checkbox.

**You’re all set! Happy Flying!**

# Setup Instructions

## OPTION B: SETUP FOR X-PLANE 12

### 3) Configure the Flaps Panel in X-Plane 12

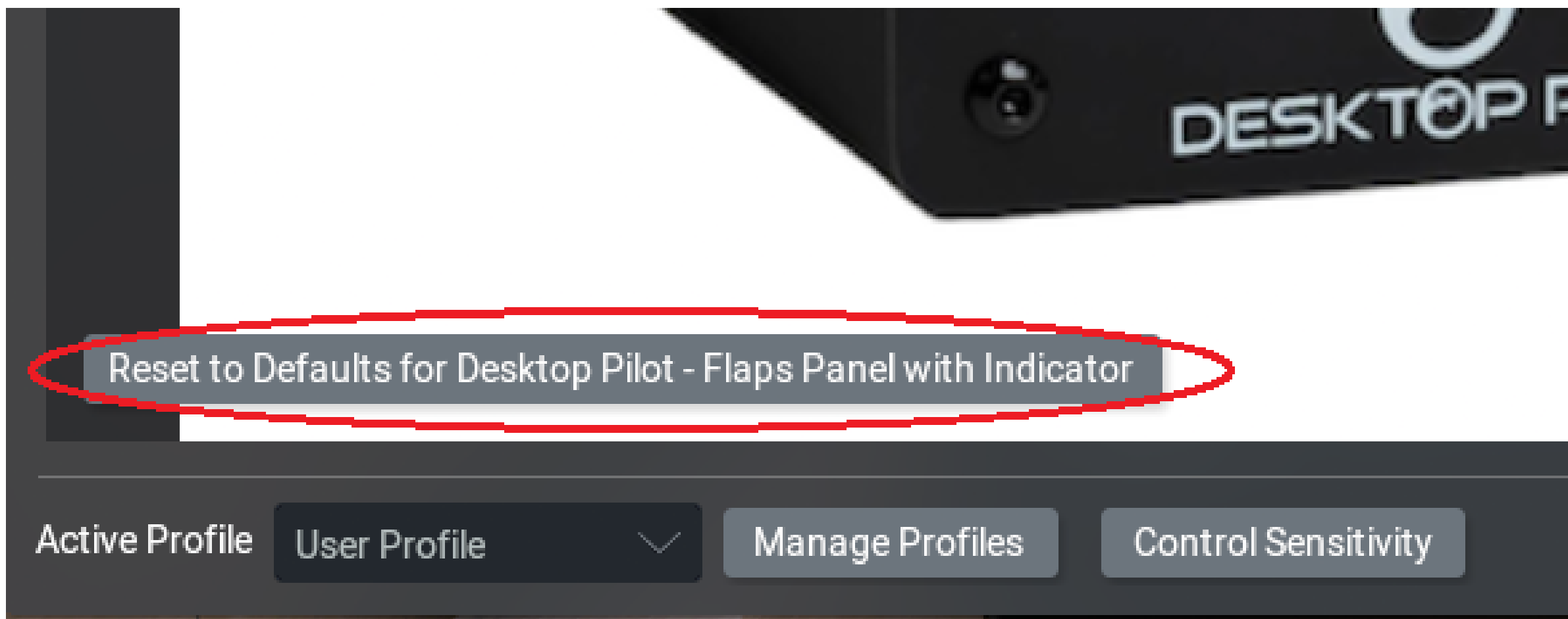
In X-Plane, the Desktop Pilot Flaps Panel should auto-bind the correct commands. Start a flight and confirm that the physical flaps panel matches the flaps movement in the simulator.

**If it does NOT respond correctly, follow these steps:**

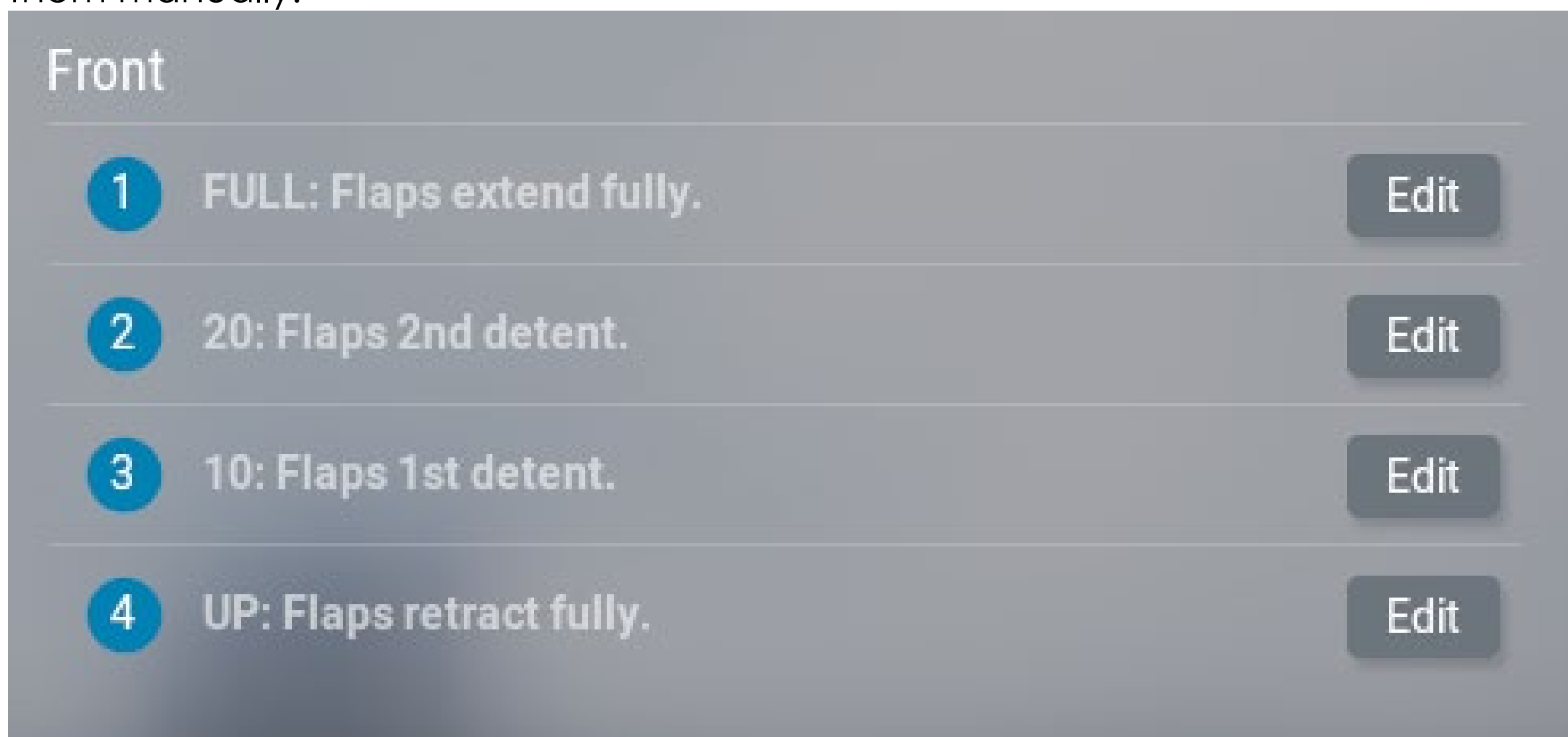
- Go to X-Plane's **Settings** and navigate to the **Joystick** tab.
- In the device list, click the dropdown menu and select **"Flaps Panel with Indicator"**



- Select the **Reset to Defaults for Desktop Pilot – Flaps with Indicator** button



- The flaps position assignments should now appear as follows. If not, click **Edit** and reassign them manually:

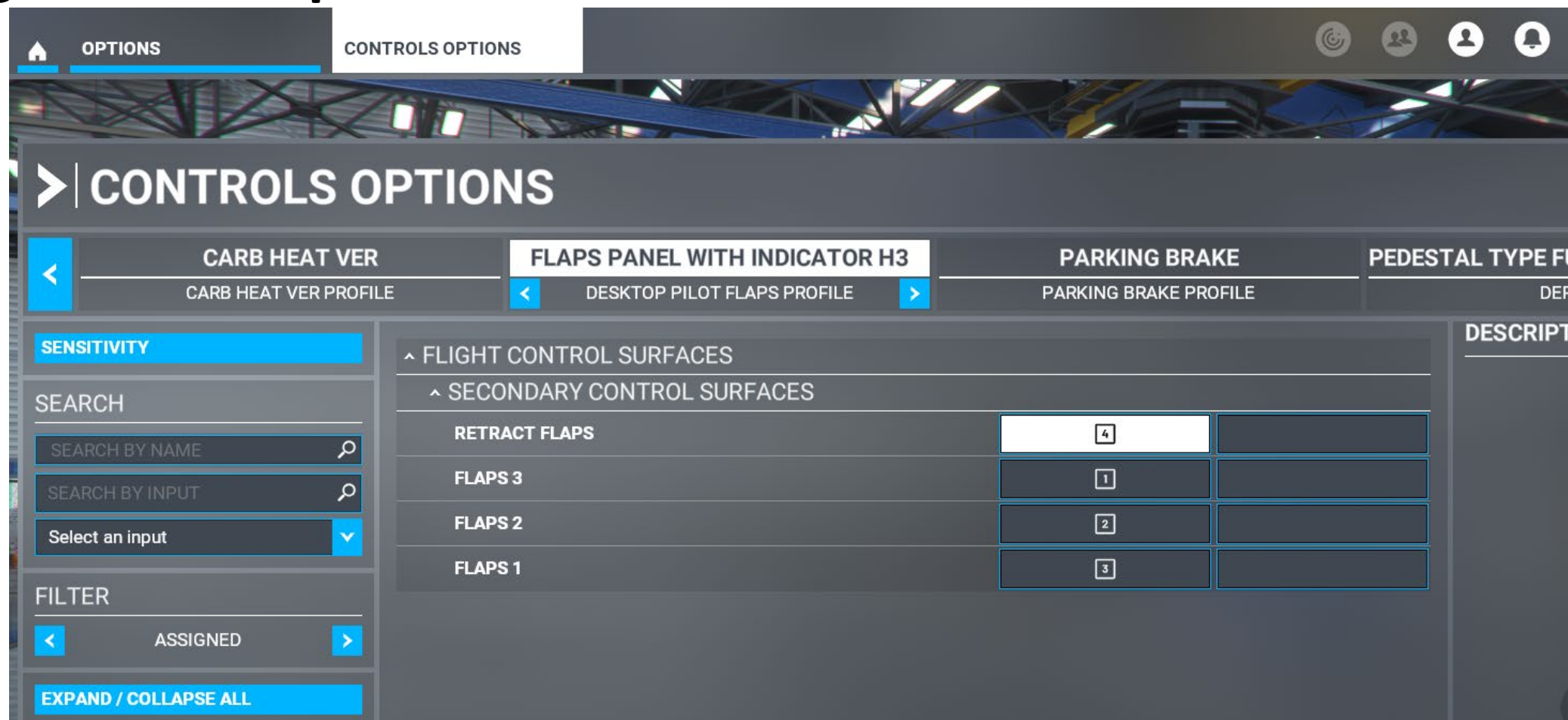


- Once assignments are complete, click **Done** in the bottom right corner of the screen.  
**You're all set! Happy Flying!**

# Setup Instructions

## OPTION C: SETUP FOR MICROSOFT FLIGHT SIMULATOR 2020

### 3) Configure the Flaps Panel in MSFS 2020



- In MSFS, open the **OPTIONS** menu.
- Select **CONTROLS OPTIONS**.
- From the device list at the top of the screen, select **FLAPS PANEL WITH INDICATOR**.
- Search for the following functions and assign these commands:

<u>Function</u>	<u>Assigned Value</u>
RETRACT FLAPS	4
FLAPS 3	1
FLAPS 2	2
FLAPS 1	3

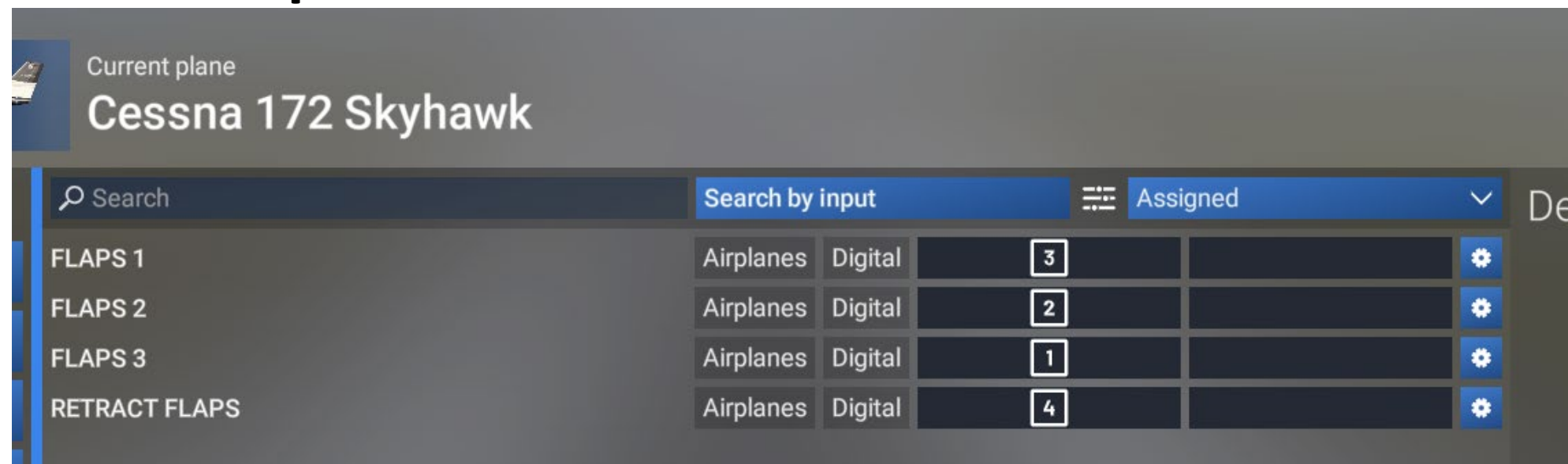
- Alternatively, **FLAPS AXIS → JOYSTICK L-AXIS X** can be assigned.
- When prompted, create a new profile (e.g., “**Desktop Pilot Flaps Profile**”) and select “**apply to all aircraft**”
- After completing all assignments, click **Apply & Save** in the lower-left corner of the screen.

**You're all set! Happy Flying!**

# Setup Instructions

## OPTION D: SETUP FOR MICROSOFT FLIGHT SIMULATOR 2024

### 3) Configure the Flaps Panel in MSFS 2024



- In MSFS, open the **Settings** menu by clicking the **gear icon** in the upper-right corner.
- Select the **Controls** tab.
- Ensure the selected aircraft is the Cessna 172 Skyhawk (G1000 variant).
- If needed, change the aircraft by pressing **G** or selecting **Change Aircraft**.
- On the left side of the screen, select **FLAPS PANEL** from the device list.
- Search for the following functions and assign these commands:

Function	Assigned Value
RETRACT FLAPS	4
FLAPS 3	1
FLAPS 2	2
FLAPS 1	3

- Alternatively, **FLAPS AXIS** → **JOYSTICK L-AXIS X** can be assigned.
- When prompted, create a new input profile (e.g., **“Desktop Pilot Flaps Profile”**) and select **“apply to all aircraft”**:
- Click **“Save and Back”**, return to the simulator, and test the control to verify proper response.

**You're all set! Happy Flying!**

# Troubleshooting Guidelines

---

## Flap Selector Not Responding in Simulator

- **Problem:** Flap positions do not change when moving the selector knob.
- **Solution:**
  - Confirm that the Flaps Panel with Indicator is recognized in the simulator's joystick/device list.
  - Reassign the axis or buttons in the simulator's control settings—avoid assigning both axis and buttons for flap control in X-Plane 12 to prevent conflicts.
  - Test the device in another simulator or with a joystick testing tool to confirm input detection.

## Device Not Recognized by Computer

- **Problem:** The Flaps Panel with Indicator does not appear in the operating system's device list.
- **Solution:**
  - Use a different USB port and ensure the cable is fully inserted on both ends.
  - Try a known working USB cable (Type B to Type A).
  - Reboot your computer and reconnect the device after the system has restarted.
  - Test the device on another computer to rule out hardware failure.

## Device Disconnecting During Use

- **Problem:** The Flaps Panel with Indicator intermittently disconnects from the PC during use.
- **Solution:**
  - Check the USB cable for any visible damage or wear. Try using a different cable.
  - Try connecting the device directly to your PC's USB port instead of using a USB hub.

# Troubleshooting Guidelines

---

## Flap Indicator Needle Does Not Move

- **Problem:** The flap indicator does not reflect flap position changes.
- **Solution:**
  - Reconnect the USB cable and restart the simulator to reinitialize the servo.
  - If the servo hums but doesn't move, check for mechanical blockage or excess resistance at the indicator arm.
  - Disconnect the device and move the needle manually and reconnect, see if the servo moves based on the flaps position. Adjust only when the device is disconnected.

## Flap Indicator Needle is Misaligned

- **Problem:** The flap position indicator does not align with the printed flap position markings on the panel.
- **Solution:**
  - Disconnect the USB cable from the device to stop active servo control.
  - Physically move the indicator based on the position of the flaps knob.
  - For example, if the flaps knob is at 10° or 20°, rotate the indicator to align with the 10° or 20° marking on the panel.
  - Reconnect the USB cable.
  - Test all flap positions to verify proper alignment.

# Frequently Asked Questions

---

## **Is the Flaps Panel with Indicator compatible with simulator cockpit setups?**

Yes, the Flaps Panel with Indicator is compatible with simulator cockpit setups. It supports clamp mounting, direct screw installation, and adhesive mounting with double-sided VHB tape. It also works with panel and cabinet mounting using the C172 Mounting Panel and Mounting Cabinet (sold separately).

## **Is the Flaps Panel with Indicator compatible with Xbox?**

No. The Flaps Panel with Indicator is not currently supported on Xbox platforms. Joystick devices without official Xbox licensing are not recognized by Xbox systems.

## **Is the Flaps Panel with Indicator compatible with other flight sim peripherals?**

Yes. It functions as a standalone joystick and operates independently of other simulator hardware. Fully compatible with yokes, throttle quadrants, panels, rudder pedals, and additional custom components.

## **Does the Flaps Panel provide analog or digital input?**

Both. The flap selector uses digital switch inputs to represent four detent positions. At the same time, a dedicated analog axis provides a continuous input value corresponding to the flap position—ideal for simulators that support axis-based flap control. Additionally, the panel includes two pulsing buttons that light up based on the direction of flap movement (up or down), providing real-time visual feedback.

## **Does the indicator needle move automatically?**

Yes. The indicator is powered by a servo motor that tracks and displays the current flap position.

# Desktop Pilot

## Your ticket to the virtual skies!

### Need Help or Have Suggestions?

If you're experiencing an issue not covered in this guide, would like to report a bug, or have ideas for improvement — we're here to help.

### Contact Us

Email: [support@desktoppilot.com](mailto:support@desktoppilot.com)

Phone: +1-888-296-9150

### Support Hours

Monday–Friday

10:00 AM – 6:00 PM (EST)

### Visit Us Online

<https://www.desktoppilot.com/>

Your feedback helps us improve the experience. Don't hesitate to reach out — we'd love to hear from you!

\*Manuals and troubleshooting steps are updated periodically. To access the latest full version of this manual and updated troubleshooting tips, visit:

<https://www.desktoppilot.com/manuals/flaps-panel-with-indicator-user-manual/>